



VERRO SERIES: VAWBT-SB2

Two Burner Boiling Top with Lower Working Height

Project: _____ Item: _____



VAWBT-SB2

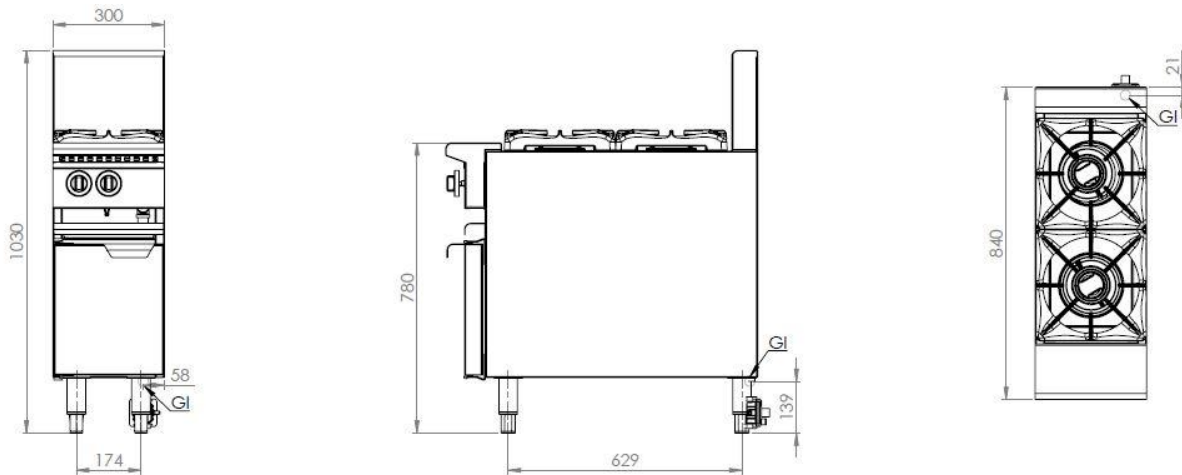
Standard Features & Benefits:

- AISI 304 grade stainless steel
- Heavy duty complete stainless steel cabinet frame
- 31MJ black enamelled Italian made burner
- Removable pressed top spillage tray for easy cleaning
- Removable heavy duty 2 piece burner for easy cleaning
- Multi-setting gas valve as standard allowing for greater regulation of flame setting
- Pilot take off fitted as standard
- Heavy duty Italian made vitreous enamelled trivets
- Lower working height of 780mm to match wok cookers
- Easy access to all components for servicing and adjustment
- 24 month warranty

Options:

- Flame failure
- Custom burner configurations
- Castors
- Plinth mounted
- Natural or LP gas

Specifications:



MODEL	LENGTH (mm)	DEPTH (mm)	HEIGHT (mm)	GAS CONSUMPTION (Mj/h)	
				NG	LPG
VAWBT-SB2	300	840	1030	62	50

Connections:

- Gas (GI) : 3/4" BSP
- Supply Pressure:
 - NG : 1.0 kPa
 - LPG : 2.6 kPa
- Regulator is included in the unit
- Must be installed by an authorised installer



B+S Commercial Kitchens
 57 Plateau Road Reservoir VIC 3073 Australia | +61 3 9469 4754
 info@bscommercialkitchens.com | www.bscommercialkitchens.com

