



VERRO SERIES: VYJSF- 1HE

Single Hole Heat Exchange Steamer

Project: _____ Item: _____



VYCJSF-1HE

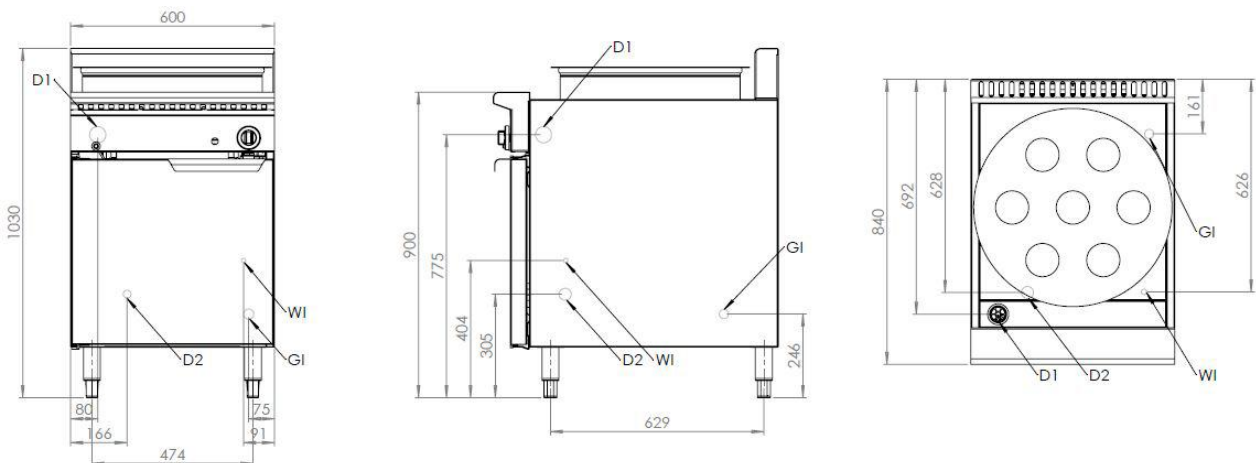
Standard Features & Benefits:

- AISI 304 grade stainless steel
- Heavy duty complete stainless steel cabinet frame
- Complete perforated steaming plate
- 2mm thick AISI 304 grade tank
- Overheat tank protection device fitted
- Insulated heat exchange chamber
- tank auto refill
- 88MJ duck burner
- Tank drain valve
- Multi-setting gas valve as standard allowing for greater regulation on flame setting
- Piezo ignition and flame failure device are fitted as standard
- Easy access to all components for servicing and adjustment
- 24 month warranty

Options:

- Castors
- Plinth mounted
- Natural or LP gas

Specifications:



MODEL	LENGTH (mm)	DEPTH (mm)	HEIGHT (mm)	GAS CONSUMPTION (Mj/h)	
				NG	LPG
VYCJSF-1HE	600	840	1030	88	85

Connections:

- Gas (GI) : 3/4" BSP
- Water (WI) : 1/2" Copper
- Waste (D1; D2) : D1 = 1 1/2" M BSP; D2 = 3/4" F BSP
- Supply Pressure:
 - NG : 1.0 kPa
 - LPG : 2.6 kPa
- Regulator is included in the unit
- Must be installed by an authorised installer



B+S Commercial Kitchens
 57 Plateau Road Reservoir VIC 3073 Australia | +61 3 9469 4754
 info@bscommercialkitchens.com | www.bscommercialkitchens.com

