

LSRF6 LINEAR SERIES

REFRIGERATED FOOD
DISPLAY WELL



PRODUCT FEATURES

- Deck forced refrigeration
- Canopy LED light
- Integral condenser
- Gantry supplied as a separate component to be fitted on site
- Curved, double curved or full curved sneeze guard

Refrigerated Well

CABINET DIMENSIONS & SPECIFICATIONS

Model	Cabinet			Pans	Refrigerant	Operating Current	Connection	Voltage
	Length mm	Depth mm	Height mm					
LSRF6	2225	720	535	6 x 1/1 - 65mm Gastro Pans	R404A	7.5 Amp	10amp 3 pin plug	50/60 Hertz 240V

GLASS SPECIFICATIONS

Model	Description	Packed for shipping			Code
		Depth	Height	Length	
LSRF/BM6	Full Curve Glass	660	540	2340	S21-163
LSRF/BM6	Sneeze guard	690	365	2340	S21-166
LSRF/BM6	Double Sneeze guard	830	340	2340	S21-169

CONDENSATE DRAINAGE

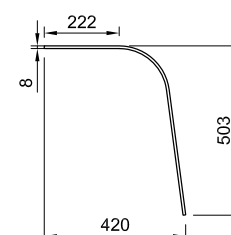
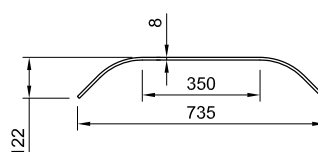
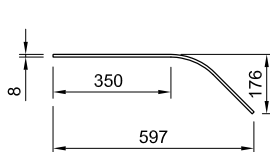
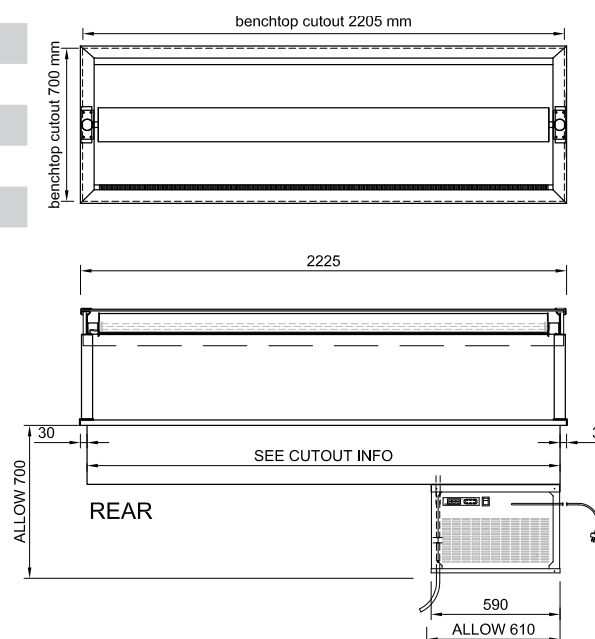
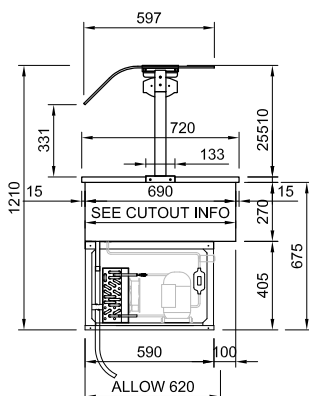
55 mm Stainless steel spigot to plastic flexible waste pipe 20 mm dia 1000 mm length.

see drainage options information sheet.

ELECTRICAL POWER

Electrical power cord 1500mm
3 pin 10 amp 1 phase socket
required 240V.

Maximum ambient operating
conditions 25°C / 60% Relative
Humidity.



* prior to installation see, installation guidelines, ventilation requirements and drainage options documents

Contact us on **T** +649 580 8471 **F** +649 580 2514 **AUS. T** 1300 099 215 **E** info@Cossiga.com
www.cossiga.com

COSSIGA