

## Ice Crusher

### CRUSHMAN 360

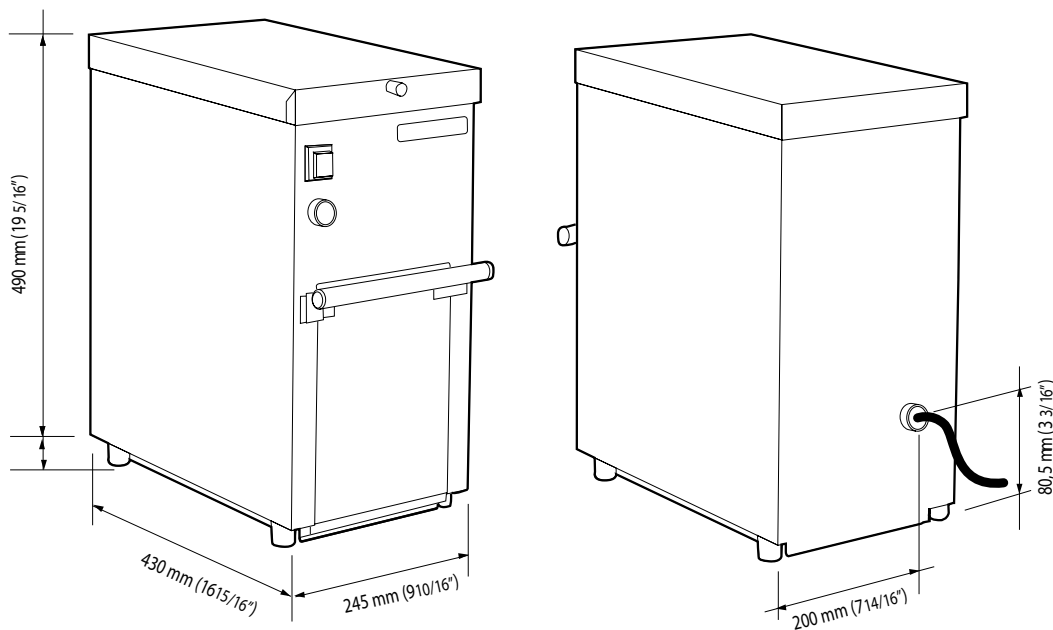


Note: Ice production rate is measured with the water temperature at 10°C and an ambient temperature of 21°C.

- 6kg/min ice crush rate
- 3.5kg storage capacity
- Crushes all types of ice
- Simple mechanical adjustment
- Compact design
- Stainless steel construction
- Safety protection microswitch on top of lid and on door
- Supplied with 1/3 GN granule tray

## Ice Crusher

### CRUSHMAN 360



moffat.com.au

Australia  
Moffat Pty Limited  
Victoria/Tasmania  
740 Springvale Road  
Mulgrave, Victoria 3170  
Telephone 03-9518 3888  
Facsimile 03-9518 3833  
vsales@moffat.com.au

New South Wales  
Telephone 02-8833 4111  
nswsales@moffat.com.au

South Australia  
Telephone 03-9518 3888  
vsales@moffat.com.au

Queensland  
Telephone 07-3630 8600  
qldsales@moffat.com.au

Western Australia  
Telephone 08-9413 2400  
wasales@moffat.com.au

#### Dimensions

Width: 245mm  
Depth: 430mm  
Height: 490mm  
Nett weight: 23kg  
Packed weight: 28kg

#### Water consumption

Air cooled version: 4.1 litres per hour

#### Electrical rating

Air cooled version: 230-240V, 1P+N+E, 50Hz,  
10A cordset supplied  
No. Circuit wire: 3

#### Important Notice:

Models and specifications are subject to change without notice. This spec sheet is meant for commercial purpose only. For technical documentation please refer to our service manuals.



© Copyright Moffat Ltd  
AU.SM.1801