

## CLEVELAND MKET-20T

### ELECTRIC FLOOR MOUNTED MIXER KETTLE

Lever tilt, electric, self contained single kettle with 80lt capacity, 2/3 steam jacketed. Solid state controls for accurate temperature control ( $\pm 1^{\circ}\text{C}$ ) and low water safety. All exterior surfaces are stainless steel.



#### STANDARD FEATURES

- Steam Jacket permanently filled with distilled water, corrosion inhibitor and antifreeze
- Rear mounted Pressure/Vacuum Gauge and Pressure Relief Valve protected by Stainless Steel Bracket
- Infinitely variable speed for all conditions; Scraper from 0-70 rpm, Agitator from 0-210 rpm
- Removable (without tools) Nylon Blades scrape entire Jacketed surface
- Totally enclosed, balanced, 10 gauge Stainless Steel Mixer Bridge
- 50 psi Safety Valve mounted under kettle to avoid tampering
- Solid State Temperature Control ( $\pm 1^{\circ}\text{F}$ ) for perfect simmering
- 3/4 Horsepower D.C. Timing Belt
- Mixer stop when Bridge is lifted
- Kettle and all exterior surfaces are Stainless Steel
- Level adjustable feet (flanged for bolting)
- Gallon markings on Scraper Shaft
- No Water Gauge required
- Solid State Low Water Safety Control
- Safety device prevents high speed starts
- Agitator and Scraper are bayonet mounted for easy removal
- Double Pantry Faucet Standard
- Large Pouring Lip

#### OPTIONAL FEATURES

- Covers (MTP20)
- Flow Diverter (FD)
- Type 316 Stainless Steel Interior for high acid food products (316-20G)
- Water Meter (GMF or LMF) Wall Mount or on Stand (SWM)
- Kettle Accessory Kit (KAK) includes:
  - Clean-up Brush (CB) - 36" Kettle Paddle (KP)
  - 36" Kettle Whip (KW) - 36" Kettle Brush (KB)
  - Draw-off Brush (DB) - 24 oz. Ladle (KL)
- Food Strainer (FS-20)

SPECIFICATIONS ARE SUBJECT TO CHANGE WITHOUT NOTICE.

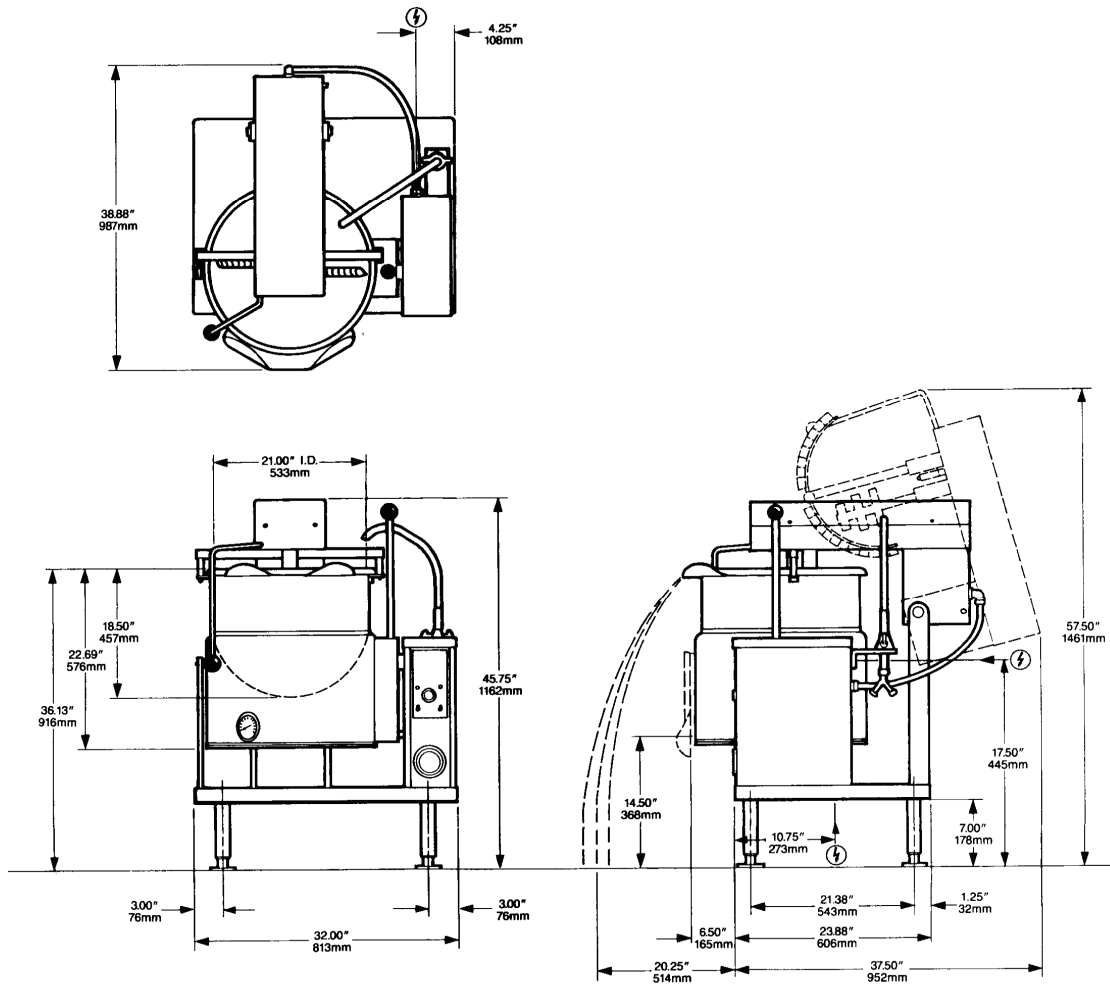
*From the world of Comcater!*

**National Head Office**  
156 Swann Drive  
Derrimut VIC 3030  
Tel: +61 3 8369 4600  
Fax: +61 3 8369 4695

**Melbourne**  
96-100 Tope Street,  
South Melbourne VIC 3205  
Tel: +61 3 8369 4600  
Fax: +61 2 8699 1299

**Sydney**  
20/4 Avenue of the Americas  
Newington, NSW 2127  
Tel: +61 2 9748 3000  
Fax: +61 2 9 648 4762

**Brisbane**  
1/62 Borthwick Avenue  
Murarrie QLD 4172  
Tel: +61 7 3399 3122  
Fax: +61 7 3399 5311



**TECHNICAL DATA**

Power Supply	415V, 3 Phase, 28amp
Energy Rating	17kW

SPECIFICATIONS ARE SUBJECT TO CHANGE WITHOUT NOTICE.



www.comcater.com.au

PROUDLY DISTRIBUTED BY: