

## NB Series Slope Front Ice Storage Bin - up to 178kg

### NB 393



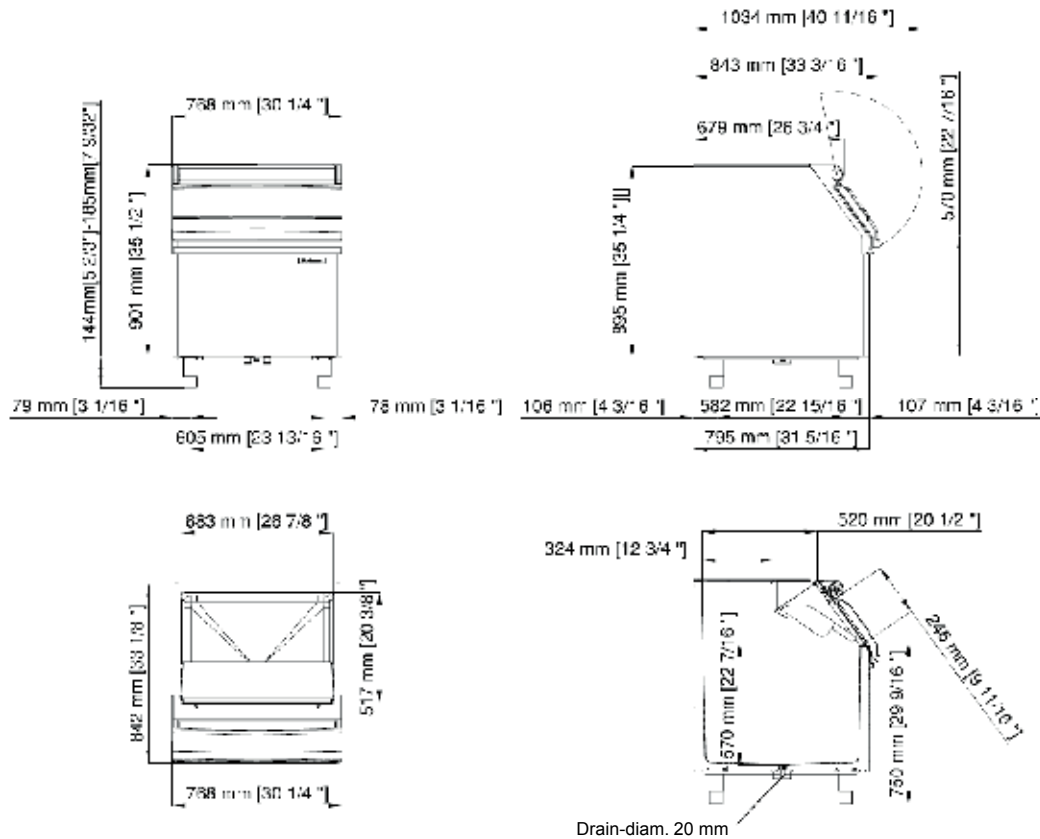
- Storage capacity up to 178kg
- Sloped front bins for ease of access
- High density polyethylene insulation
- Insulated with rounded corners
- Fully removable door gasket seal, easily disassembled for cleaning
- Stainless steel bin exterior with rotocast plastic hinged door
- Convenient built-in scoop holder
- Includes ice scoop, water and drain hose

#### Storage bin top cover

- CBT 30 EMCD – Cover for NW 308, NW 508, NW 458 and MV 430
- CBT 30 EFSD – Cover for MF 26, MF 36, MF 46, MF 47, MF 56, MF 58, MF 59, MFN 46 and MFN 56

## NB Series Slope Front Ice Storage Bin - up to 178kg

### NB 393



moffat.com.au

Australia  
Moffat Pty Limited  
740 Springvale Road  
Mulgrave, Victoria 3170  
Telephone 03-9518 3888  
Facsimile 03-9518 3833  
vsales@moffat.com.au

New South Wales  
Telephone 02-8833 4111  
nswsales@moffat.com.au

South Australia  
Telephone 03-9518 3888  
vsales@moffat.com.au

Queensland  
Telephone 07-3630 8600  
qldsales@moffat.com.au

Western Australia  
Telephone 08-9413 2400  
wasales@moffat.com.au

#### Dimensions

Width: 768mm  
Depth: 843mm  
Height: 1039mm  
Nett weight: 44.8kg  
Packed weight: 64.2kg

Ice capacity (application)\*  
178kg

Ice capacity (AHRI)\*\*  
141kg

Internal Volume  
0.363m<sup>3</sup>



\* Application capacity is calculated on 90% of total volume x 545 kg/m<sup>3</sup>



\*\* AHRI capacity is calculated on 80% of total volume x 481 kg/m<sup>3</sup>

Important Notice:  
Models and specifications are subject to change without notice. This spec sheet is meant for commercial purpose only. For technical documentation please refer to our service manuals.



© Copyright Moffat Ltd  
AU.SM.1801

an Ali Group Company



The Spirit of Excellence