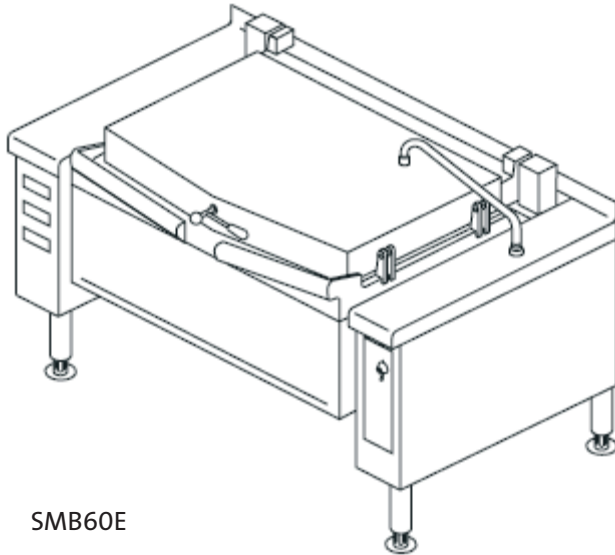


Technical data sheet for

ELECTRIC TILTING BRATPAN – PRESSURE 150 LITRE

SMB60E-PRESSURE



SMB60E

- 150L full stainless steel pan
- Bimetallic heat diffusing base
- Electric tilting mechanism
- High density heat insulation
- Autoclave lid balanced to use with or without pressure
- Electronic Thermostat
- Electronic timer with digital display
- Optional
 - boiling baskets with automatic lifting devise
 - shower hose for easy cleaning
 - Water filling volume control
- Large pan surface area

Overall Construction

- Stainless Steel chassis frame
- Bi metallic heat diffusion panbase
- 2 mm 304 stainless steel pan sides and pouring lip
- High density fully insulated cooking pan
- 304 stainless steel Autoclave lid, hinged and balanced to use with or without pressure.
- Heavy duty stainless steel lid handle with insulated knob

Controls

- Digital control, measured hot and cold water supply with swivel spout.
- Electric Tilting with safety heating control
- Anti-boiling device
- Cooking mode selector brat pan – stock pot – pressure bratpan
- Electronic thermostats
- Pressure control by electronic pressure switch with digital display
- Stainless steel shielded heating elements
- Electronic pressure control with digital display
- HACCP monitoring capabilities

Cleaning and Servicing

- Easy clean stainless steel exterior
- Pan, controls and heating elements are a single body with a centre core tilting arrangement making the exterior simple to clean.
- All service access from front of unit

Optional

- Optional boiling baskets with automatic lift
- Optional water dosing control

Technical data sheet for

ELECTRIC TILTING BRATPAN – PRESSURE 150 LITRE

Specifications

DIMENSIONS

Width 1700mm
Depth 900mm
Height 900mm
Capacity 150litre

NETT WEIGHT

400kg

PACKING DATA

0.00m³, 000kg
Width 000mm
Depth 000mm
Height 0000mm

POWER CONNECTION REQUIREMENTS

Electrical requirements

AC Connection
Multi-pin circuit breaker, effective separator
Installed near appliance and supply line
Voltage 380-415V ~ 50/60 Hz, 3P=N=E

Installation Connection

21.6 kW 31.2 A

Water Connection

Ø 15 x 21 male

Condensate discharge

Ø 20 x 27 male

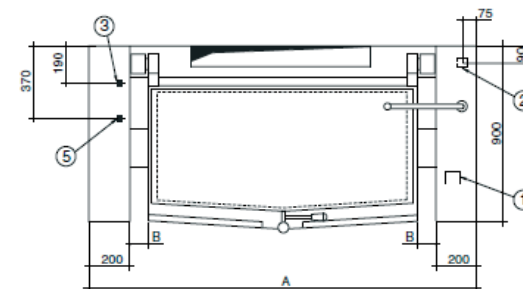
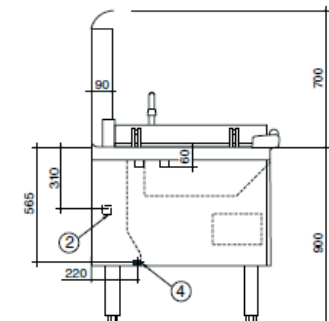
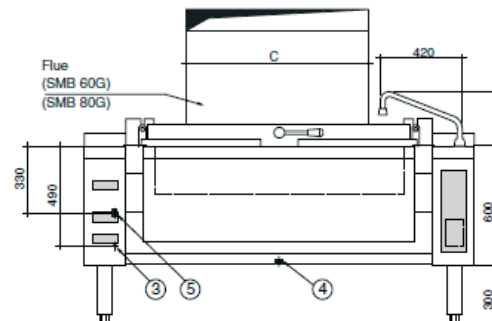
INSTALLATION CONDITIONS

(for precise installation instructions please refer to our installation manual)

OPTIONS AT EXTRA COST

Joining caps
Side splash guards
Castors
Plinth mounting

SMB60E-PRESSURE



Waldorf
800 SERIES

MOFFAT

Australia
www.moffat.com.au
New Zealand
www.moffat.co.nz

Australia
Moffat Pty Limited

Victoria/Tasmania
740 Springvale Road
Mulgrave, Victoria 3170
Telephone 03-9518 3888
Facsimile 03-9518 3833
vsales@moffat.com.au

New South Wales
Telephone 02-8833 4111
nswsales@moffat.com.au

South Australia
Telephone 03-9518 3888
vsales@moffat.com.au

Queensland
Telephone 07-3630 8600
qldsales@moffat.com.au

Western Australia
Telephone 08-9202 6820
bgarcia@moffat.com.au

New Zealand
Moffat Limited

Christchurch
Telephone 03-389 1007
sales@moffat.co.nz

Auckland
Telephone 09-574 3150
sales@moffat.co.nz



Designed and manufactured by

MOFFAT

ISO9001
All Waldorf products are designed and manufactured by Moffat using the internationally recognised ISO9001 quality management system, covering design, manufacture and final inspection, ensuring consistent high quality at all times.

In line with policy to continually develop and improve its products, Moffat Limited reserves the right to change specifications and design without notice.

© Copyright Moffat Limited
Moffat/1341/07.13

