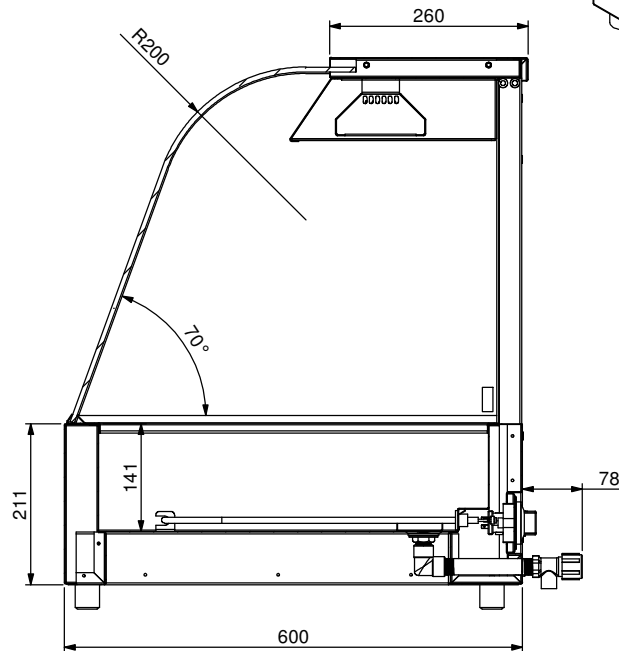
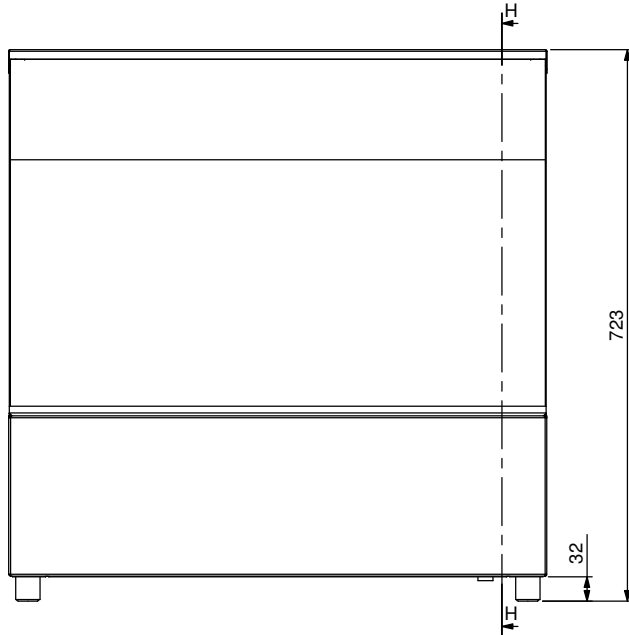
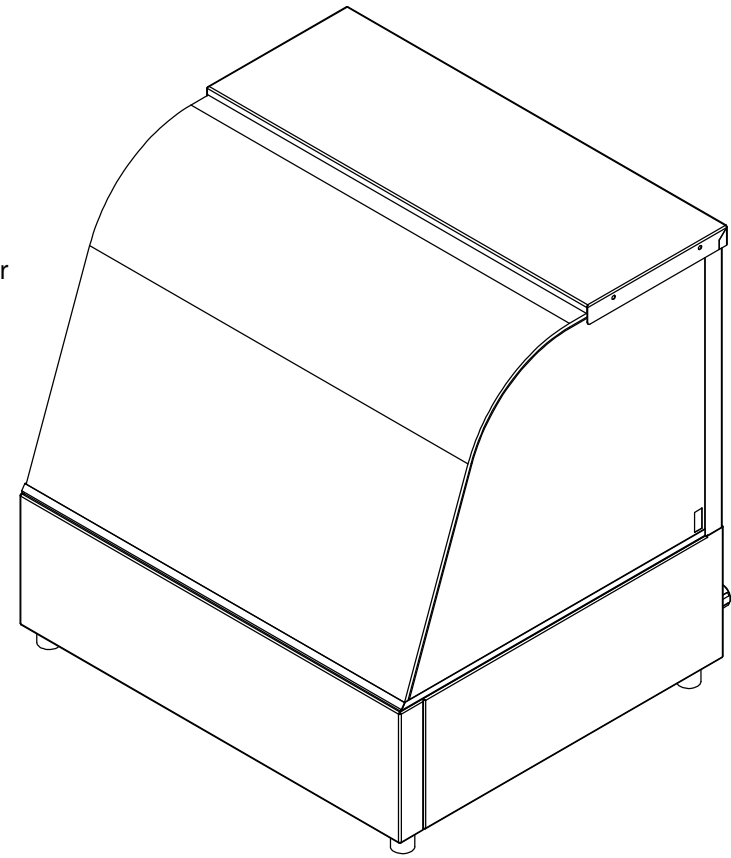


**Product Details**

- Electrical Connection : 10 Amp Plug & Lead Supplied
- Electrical Rating : 240v, 6.25amps, 1500w,
- : 2 elements @ 600w
- : 1 Woodson Heat Lamp Unit @ 300w
- Waste : 13mm with 19mm drain
- and 1/2" BSP mini cistern cock
- Unit Controls : Switch for main power and heat lamp
- : Knob for thermostat with dial thermometer



SECTION H-H



**STODDART**  
MANUFACTURING

TOM STODDART Pty Ltd ACN 009 690 251  
215 Jackson Rd Sunnybank Hills Qld 4109  
PO Box 420 Sunnybank Qld 4109  
Phone (617) 3344 2444 Fax (617) 3345 6403  
Email sunnybank@stoddart.com.au

Quality in stainless steel

				PART No: SP-WHFC22 A1	
DRAWN	NAME	SIGNATURE	DATE	UNLESS OTHERWISE SPECIFIED: DIMENSIONS ARE IN MILLIMETERS	
	N Wooler		22/07/2008	DESCRIPTION: Curve Glass Assembly	
APPVD				MATERIAL:	Dwg. Issue
Weight:				THICKNESS:	1
Surface Area:				FINISH:	
DO NOT SCALE DRAWING				This drawing remains the property of Tom Stoddart Pty Ltd & cannot be reproduced without prior permission.	
				A3	Sheet 1 of 8