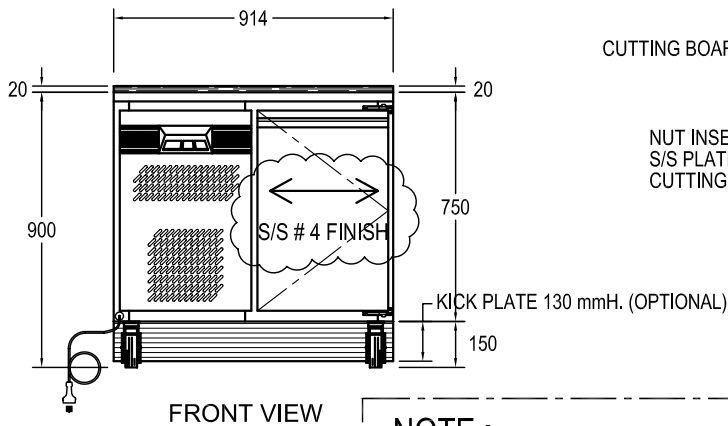
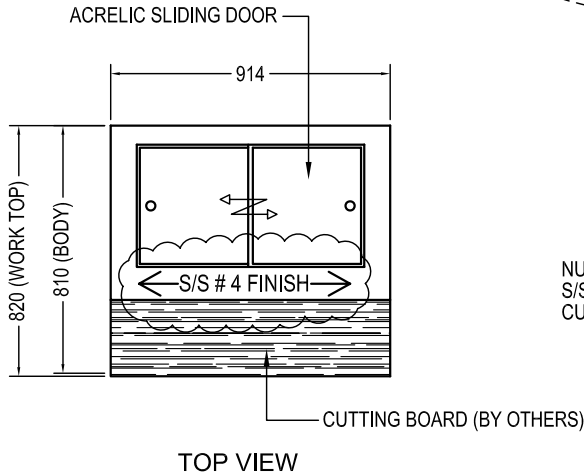
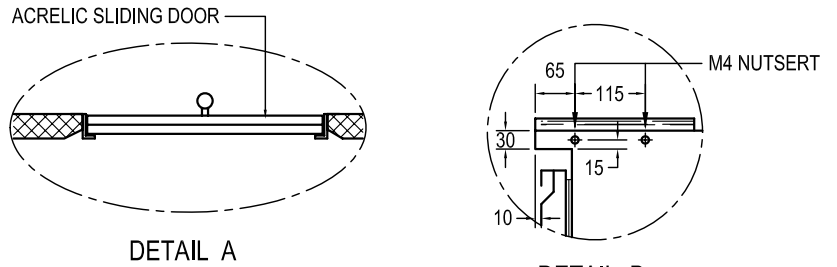
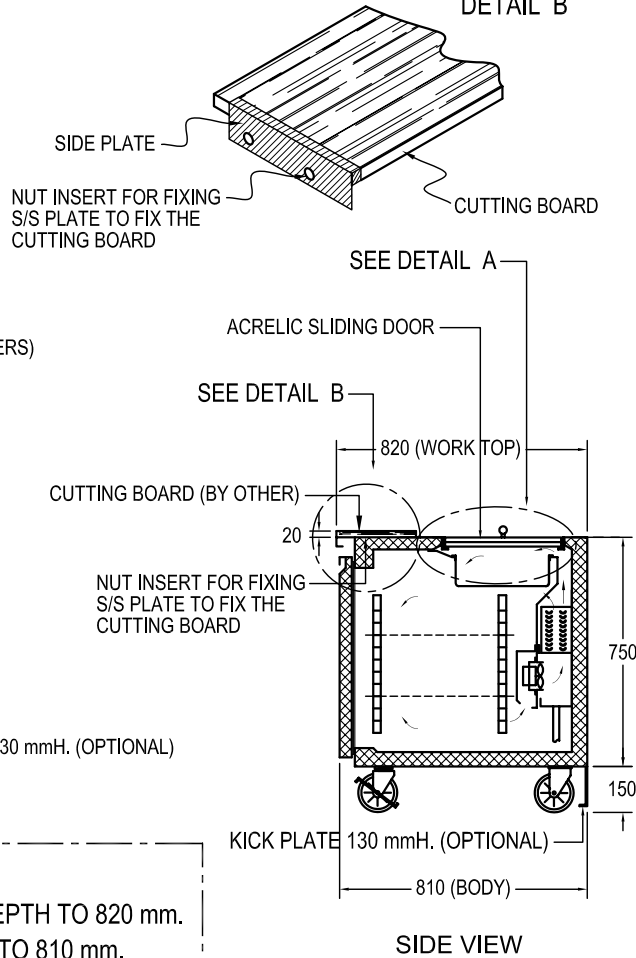


**Optional**

- Cutting board
- Crumb tray with S/S wire shelf



**NOTE :**  
 - WORK TOP DEPTH TO 820 mm.  
 - BODY DEPTH TO 810 mm.



TECHNICAL DATA	Refrigerator model	
a) MODEL NUMBER	WSM 914 - L	
b) DIMENSION L x D x H (Cm.)	91.4 x (82+81) x 90	
c) TEMPERATURE RANGE	<p><b>NOTE :</b>                      S/S # 4 FINISHED                      ↔ REFERS TO                      S/S GRAIN DIRECTION                      (HORIZONTAL)</p>	2 °C to 5 °C
d) REFRIGERANT		R-404a
e) COOLING CAPACITY (Btu.)		1187
f) CONDENSING UNIT (Hp.)		1/6
g) WIRE SHELVES		2 pieces
h) PAN (100 mm. Depth)	4 GN 1/3	
i) POWER SUPPLY	220V - 50Hz - 1Ph	

**Sandwich preparation counter**

<b>WELBILT</b> Manufacturing(Thailand)Ltd.	UNLESS OTHERWISE NOTED		PROJECT:	<b>WOODSON</b>		P/O NO.	
	DESIGN DIMENSIONS ARE IN mm.		PRODUCT:	<b>AS ABOVE SPECIFIED</b>		QTY.	
SCALE	NTS.	DWG. NO.	WSM 914 - L	PAGE NO.		DATE:	12/10/07
SA1:		SA2:		MN1:		REVISION:	F
				MN2:		APPROVED:	
						AA:	