



CH.IBGJ.BMC.U.GSF.3

Island Buffet Heated

Stone Top & Joinery Panels



Product Information:

- Fitted with an under bench bain marie and heated gantry **CH.BMC.U.GSF**
- Adjustable digital temperature controller allows food to be held between +65°C to +90°C (food must be heated above 65°C before being placed in the bain marie)
- Wet or dry operation (temperature varies greatly when run dry, should not be left unattended for long periods of time)
- Fitted with 10mm thick toughened glass gantry with overhead Quartz IR heat lamps to provide heat and illumination to the product below
- Pans are recessed to minimise water condensation on surrounding bench top
- Culinaire buffet units can be customised to suit any application (minimum dimensions of buffet unit shown below)
- Additional items can be incorporated into the buffet unit such as plate dispensers, plate shelves under, induction warming units, etc
- Internal framing is constructed from a heavy-duty stainless steel to endure the day to day use in a busy environment
- Heavy-duty non-marking 75mm swivel castors, two with brakes
- Manual fill and manual empty, valve operated waste
- Stoddart has a selection of standard stone tops and pre-finished melamine boards available, or specify finishes to suit your decor (prices may vary)

Product Code:

CH	= Culinaire Heated
IBGJ	= Island Buffet - Granite Top - Joinery Cladding
BMC	= Bain Marie - Counter Line
U	= Under Bench
GSF	= Flat Glass Gantry - Stainless Steel Fixings
3	= 3 Modules

Optional Extras:

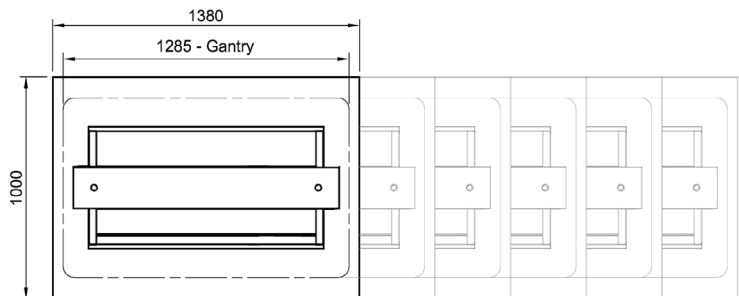
Radius Well

- Add **R** to code after the .U
(If Required, must be nominated at time of order)

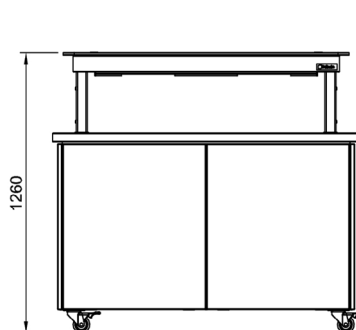
CH.IBGJ.BMC.UR.GSF.3

Technical Data:

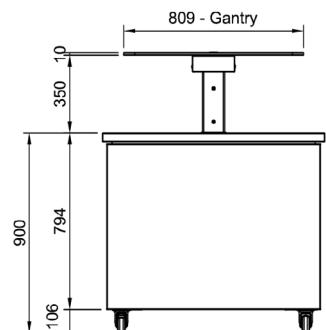
Dimensions: W x D x H: 1380 x 1000 x 1260
 Total Connected Load: 2.85kW
 Electrical Connection: 240V 1Ø + N + E



Plan View



Front Elevation



End Elevation



Proudly Manufactured in Australia

Due to continuous product research and development, the information contained herein is subject to change without notice

Manufactured By:

Tom Stoddart Pty Ltd. ABN 16 009690251
 39 Forest Way, Karawatha 4117 Queensland Australia
 Tel : +61 7 3440 7600 Fax : +61 7 33441000
 Web site: www.stoddart.com.au

