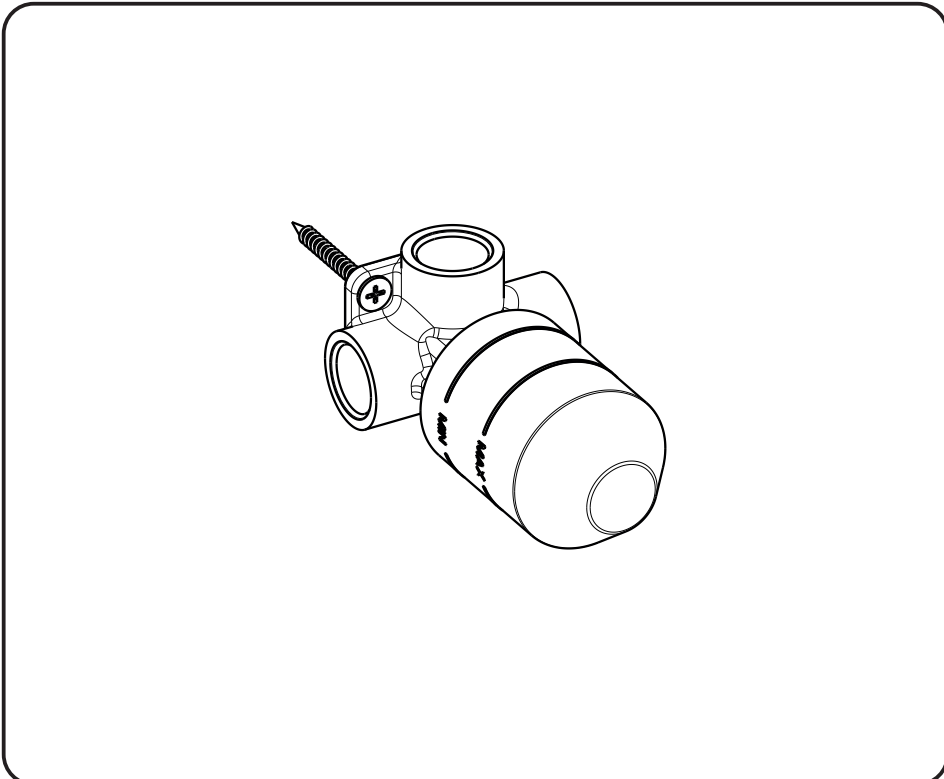
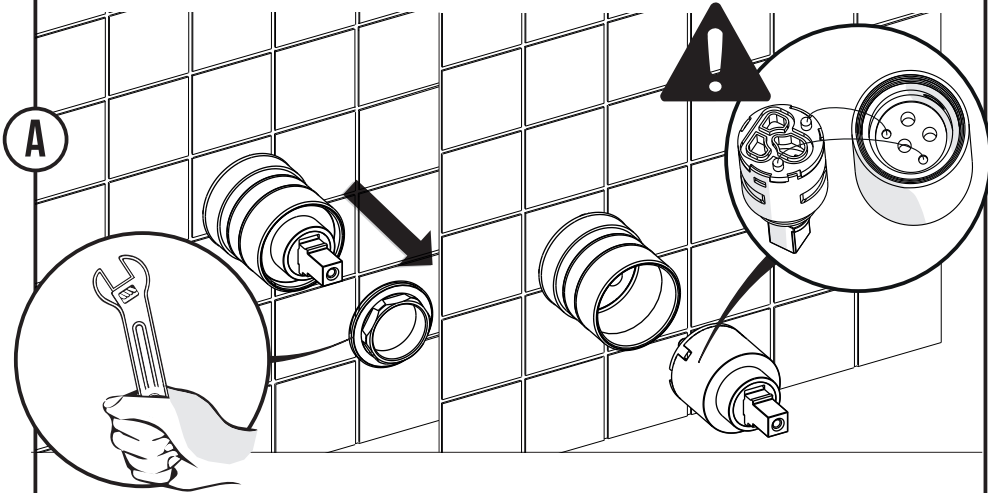




Cambio cartuccia | Cartridge change | Changement de cartouche |
Austausch Kartusche | Cambio de cartucho



- IT | Istruzioni Di Montaggio
- GB | Assembly Instructions
- FR | Instructions de montage
- DE | Montageanleitung
- ES | Instrucciones de montaje

(c) Pressure applications

(b) Operating Temperatures

 Min 0,5 Max 5	 Max 70°
---	--

Installation conforms to AS/NZS3500 series and
Plumbing code of Australia.

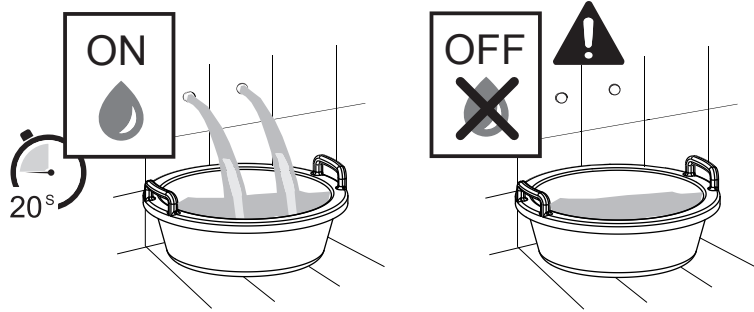
IS00085700

Non incluso | Not included | Non Inclus | Nicht enthalten | No incluido



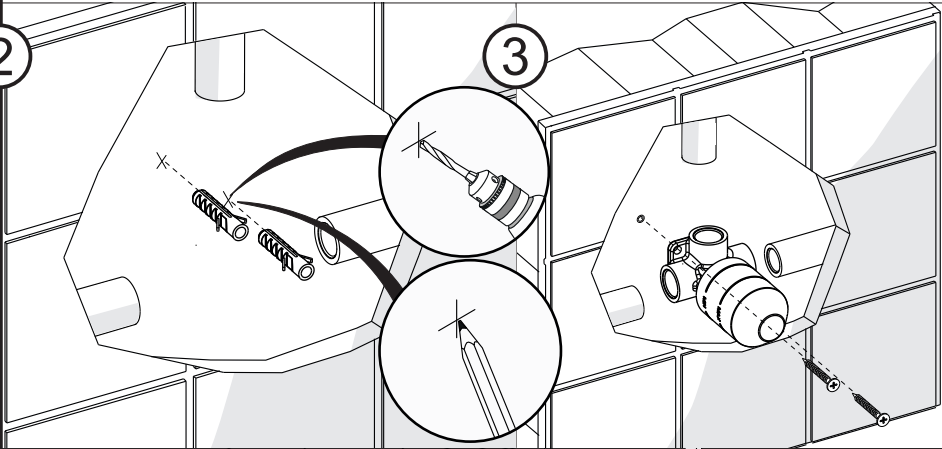
(i) commissioning procedures for the product

1

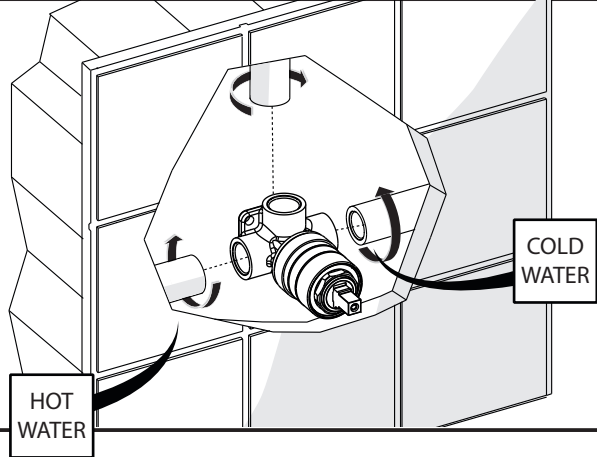


2

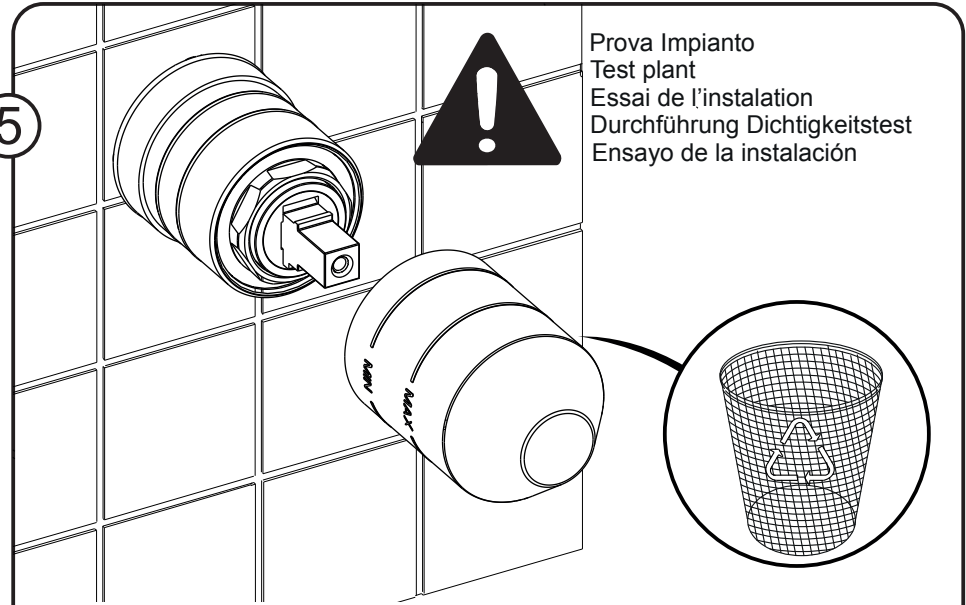
3



4



5



Prova Impianto
Test plant
Essai de l'installation
Durchführung Dichtigkeitstest
Ensayo de la instalación