

WALL BASIN/ BATH SET INSTALLATION INSTRUCTIONS

Care and Maintenance

The materials and workmanship of the tapware is of high quality and in order to maintain its appearance, it is important not to wipe with abrasive cleaners. Cleaning of this product should only be done with warm soap water on a regular basis.

Working Specifications

Maximum : Temperature - 80°C
Pressure - 500kpa

Where normal working pressures exceed the maximum stated above, pressure limiting valve should be installed as excessive pressure may damage the tap and void warranty.

Minimum : Temperature - 1°C
Pressure - 150 kpa

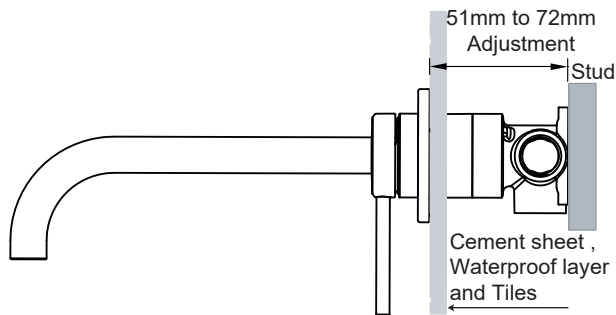
Recommended operating pressure: 150 to 500kpa.

NOTE:

This mixer must be installed with isolating stop taps in accordance with local authority installation codes. All Abey mixers must be installed by a licensed plumber, failure to do so may void warranty. This tap is manufactured to standard AS/NZS 3718. All Abey tap ware must be installed in accordance with AS/NZS 3500 series.

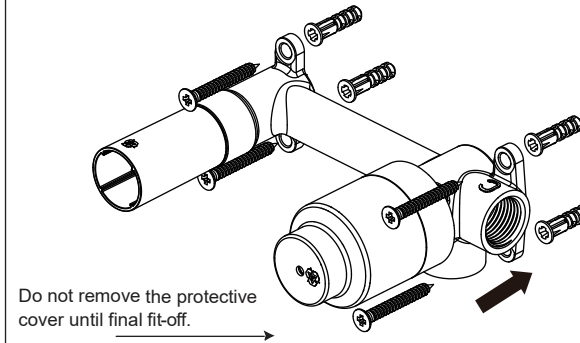
Notice

- 1 All pipework must be thoroughly flushed prior to installation, as foreign materials may block the flow .
- 2 Aerator insert housing must be retightened to prevent removal by hand.
- 3 When installing parts with concealed O-rings (such as cover plate or connector), apply soapy water or plumber-specific grease to the surface of the O-ring for lubrication first.

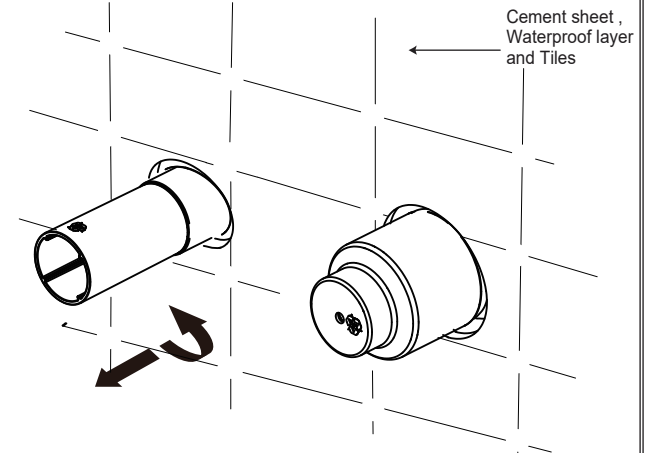


1

Screw the shower mixer assembly in place.

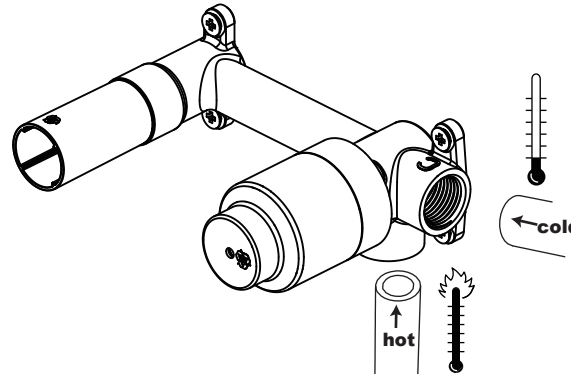


4



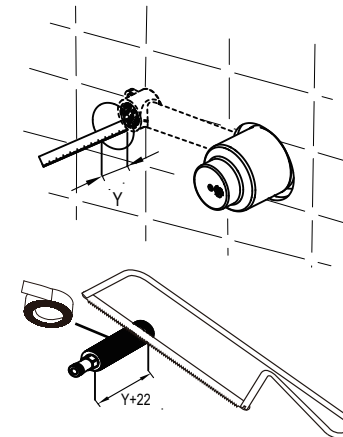
2

Attach water supply and water outlet



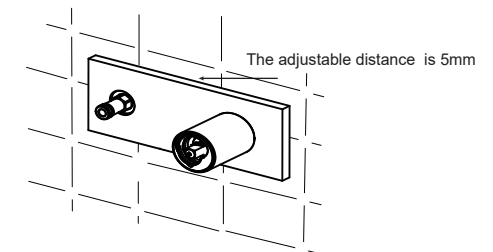
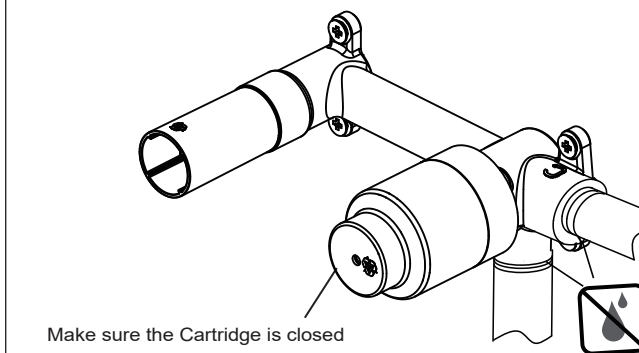
5

Adjust the connector length or adjust the installation distance of the external parts. The adjustable distance is 5mm



3

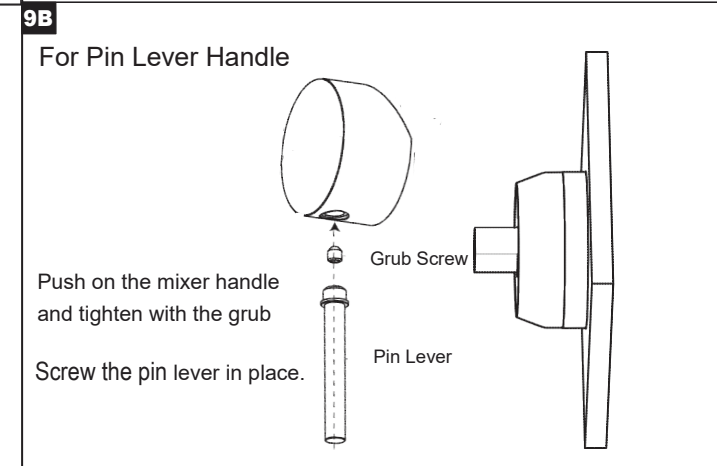
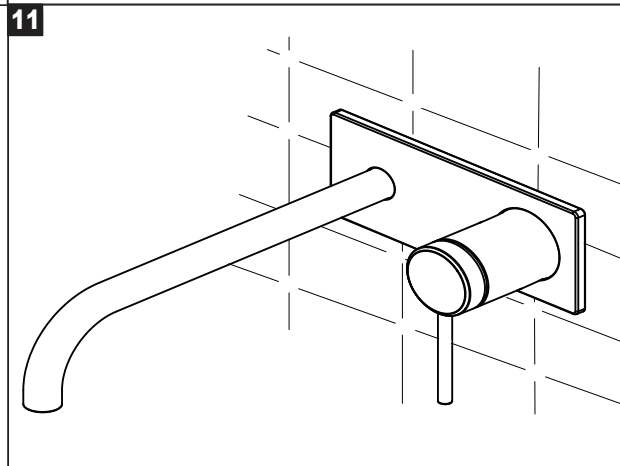
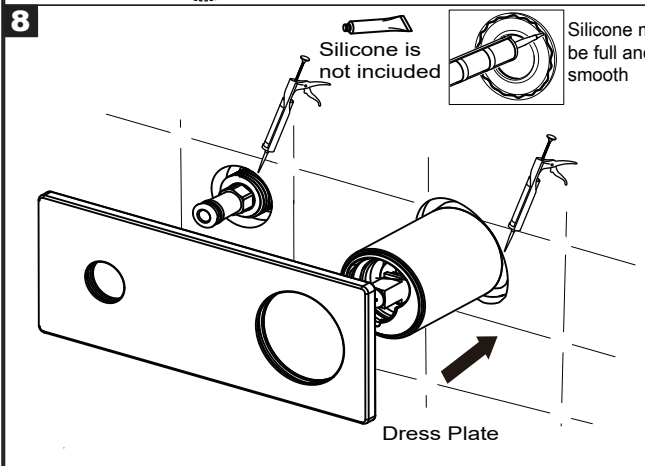
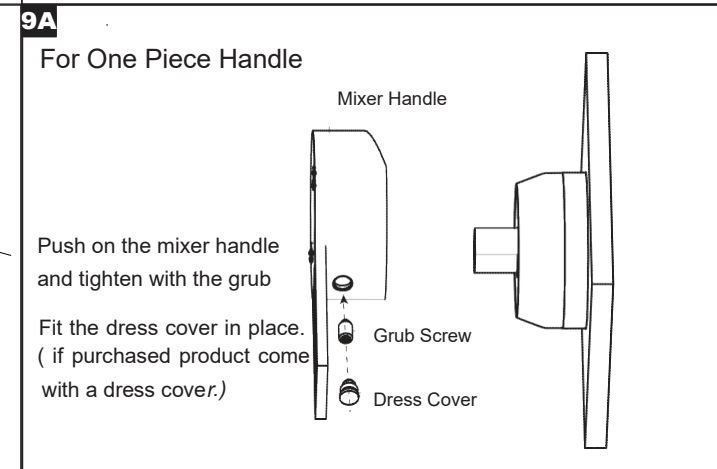
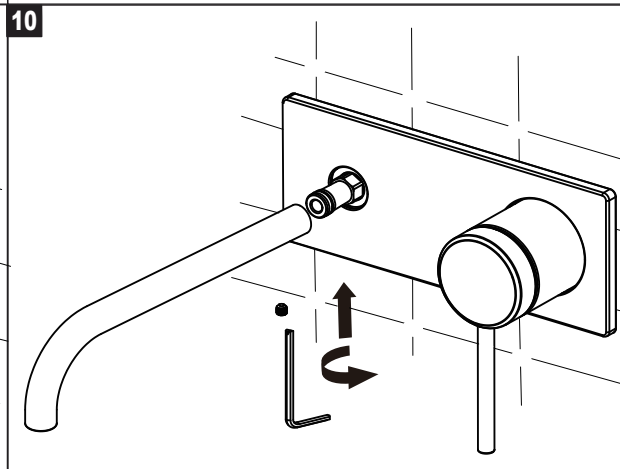
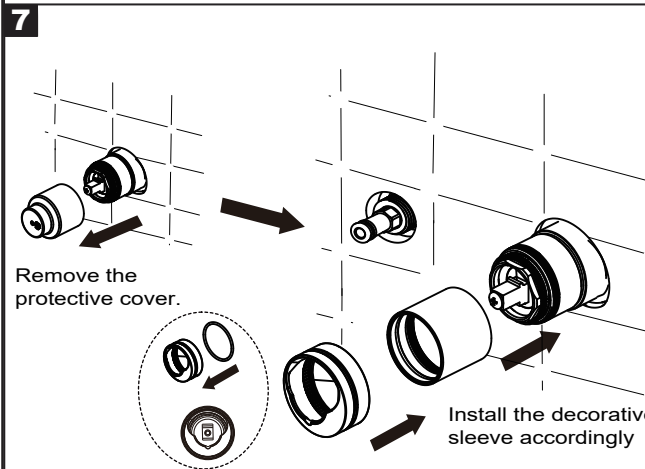
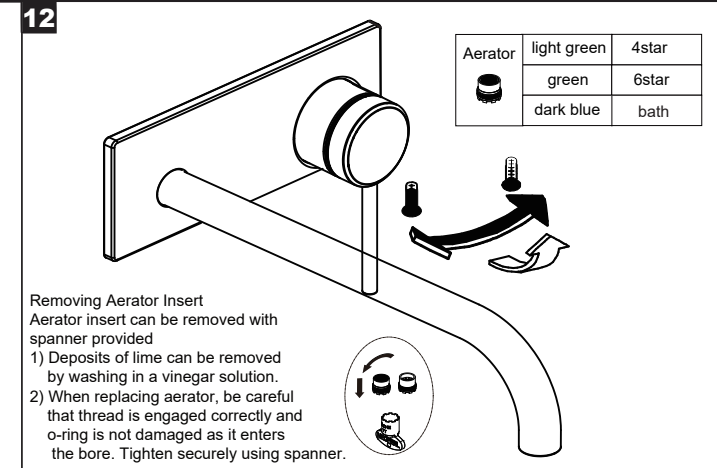
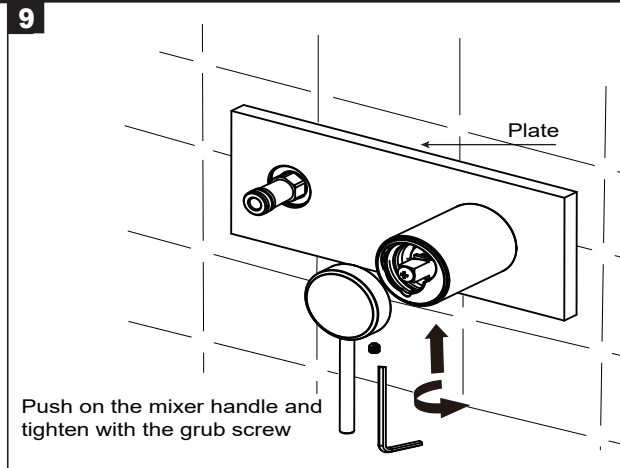
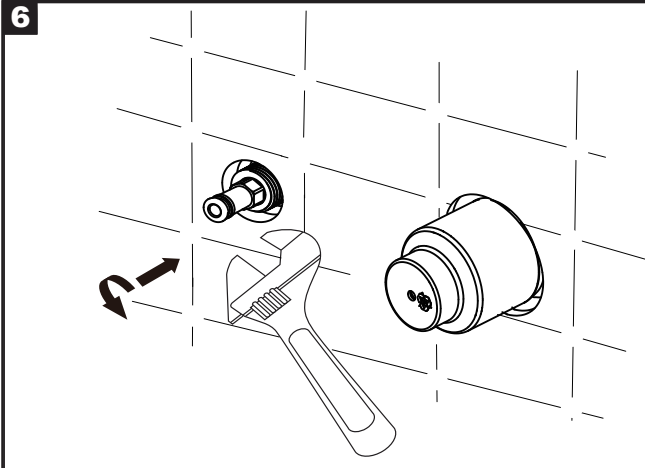
Test and check for leaks



WALL BASIN/ BATH SET INSTALLATION INSTRUCTIONS

Abey^{AU}

Abey Australia Pty Limited
57-81 Abey Road
Cobblebank 3338
PHONE: 03 9747 7777



WALL BASIN/ BATH SET INSTALLATION INSTRUCTIONS

