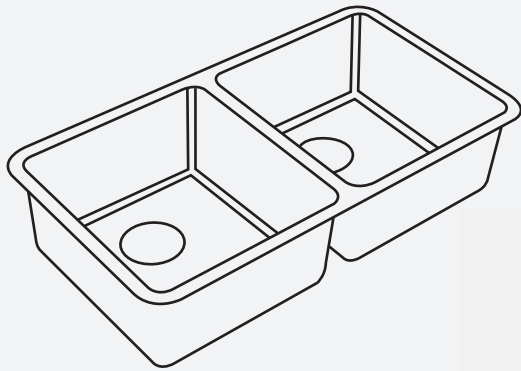


SCHOCK TOPMOUNT SINK

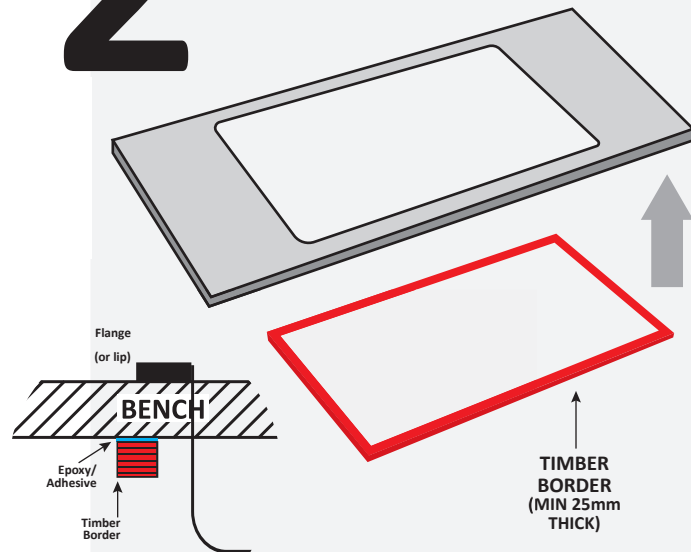
INSTALLATION INSTRUCTIONS

1



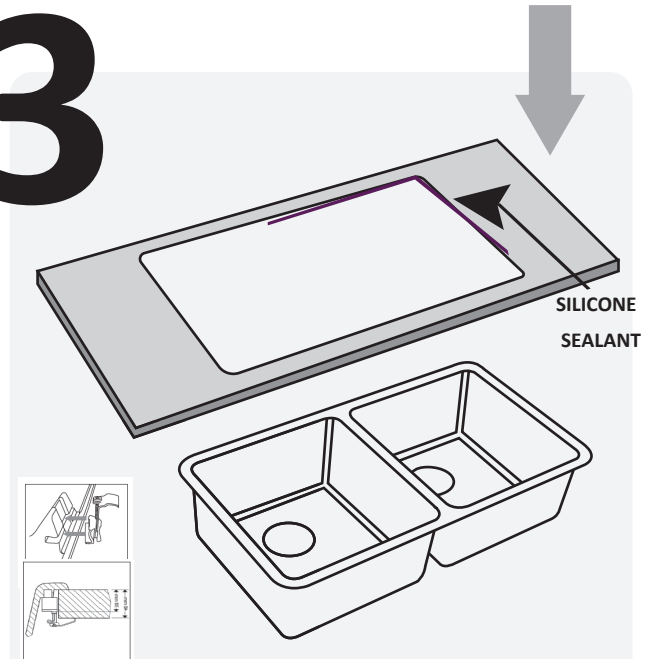
NOTE: paper and cardboard templates where supplied are only to be used as a guide. Using the actual sink ensures a more accurate cutout.

2



Attach a timber border evenly around the perimeter of the countertop cutout to accommodate the size of the sink. This should be epoxied/adhered to the underside of the countertop.

3



Clean both the counter top surface and the underside of the sink's flange (or lip) with methylated spirits. Apply a bead of silicone along the top and side edges of the counter top cutout. Position the sink in place, then secure it by screwing the brackets to the timber support frame.

Templates are provided as a general guide only. For the most accurate cutout, we recommend using the actual sink during installation. Do not over tighten the bracket screws, as this may cause damage. The sink must be screwed to the timber support frame using the supplied brackets. Use of epoxy or adhesive to directly secure the sink to the benchtop will void the warranty.

