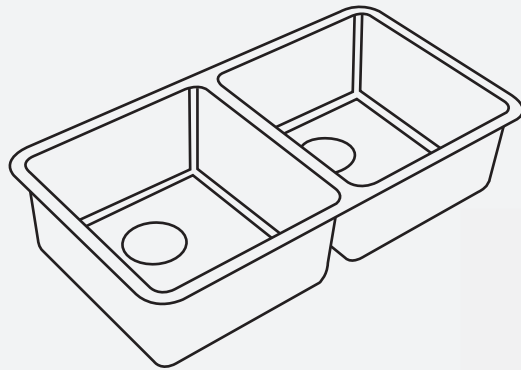
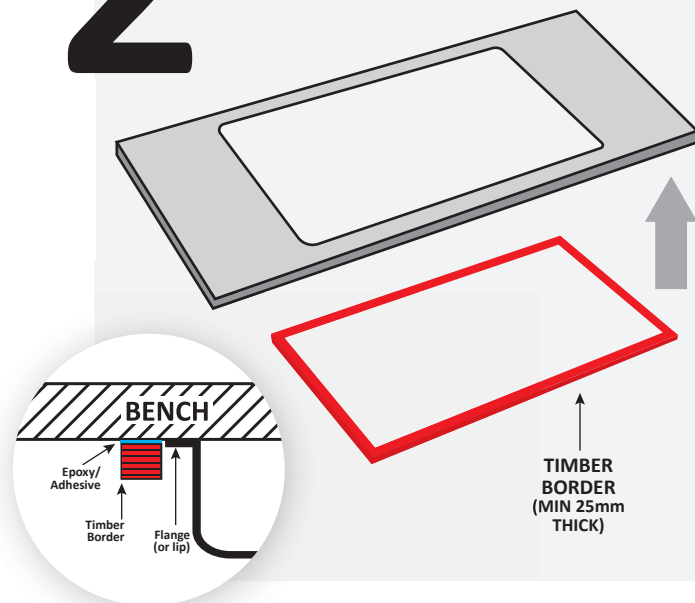


SCHOCK UNDERMOUNT SINK INSTALLATION INSTRUCTIONS

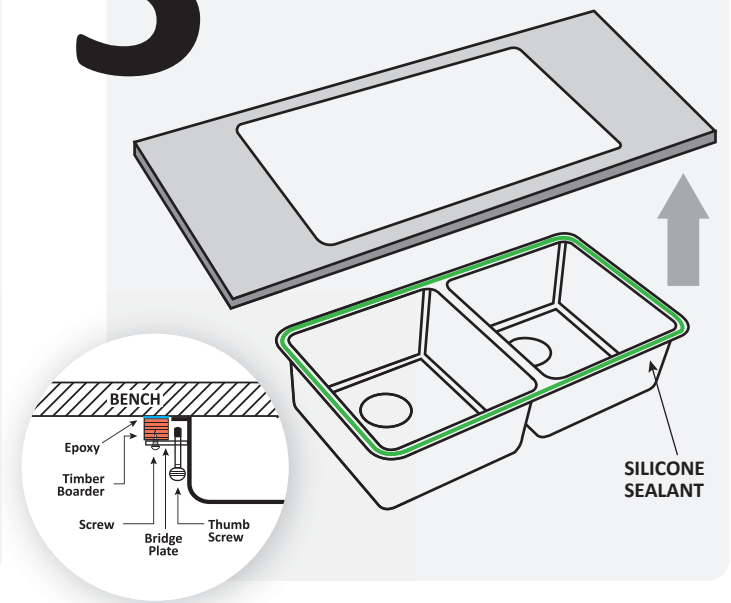
1



2



3



NOTE: paper and cardboard templates where supplied are only to be used as a guide. Using the actual sink ensures a more accurate cutout.

Attach a timber border evenly around the perimeter of the countertop cutout to accommodate the size of the sink. This should be epoxied/adhered to the underside of the countertop.

Clean the bottom of the countertop and the top flange (or lip) of the sink with methylated spirits. Then apply a bead of silicone to the top edge of the bowl. Position sink in place then screw the bridge plate to the timber border using the thumb screws to secure the sink in correct position.

Templates are supplied only as a guide. The physical use of the sink will ensure a more accurate cutout. Abey recommends that undermount sinks and routing of your solid surface material should be installed by a professional installer for best results. Warranty is voided if epoxy or adhesive is used to secure the sink to the bench.

