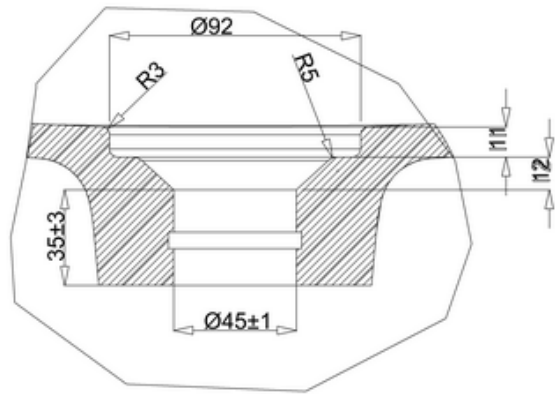
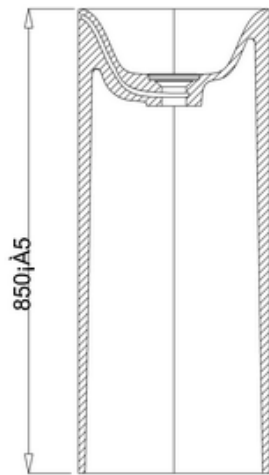
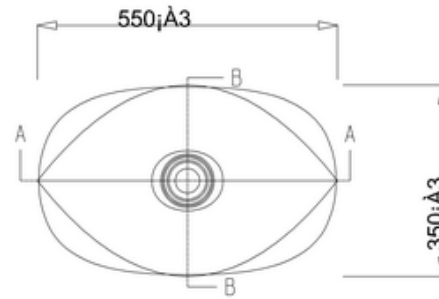


201.E.26210 - NEW NS Basin 550*350*850 LLT550

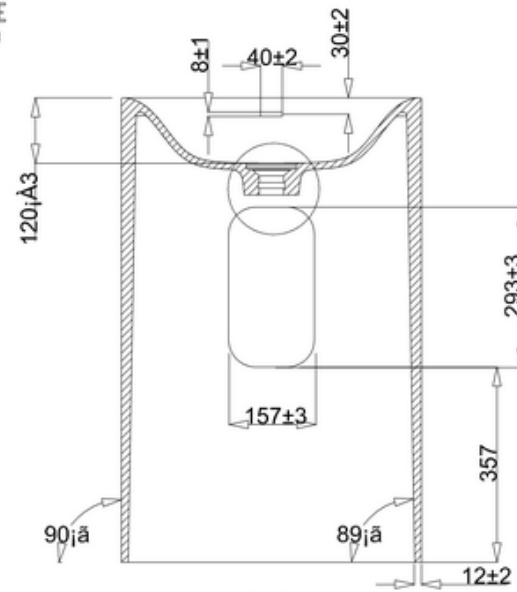


C
SCALE 1:2

PERSPECTIVE
SCALE 1:20



B-B



A-A