



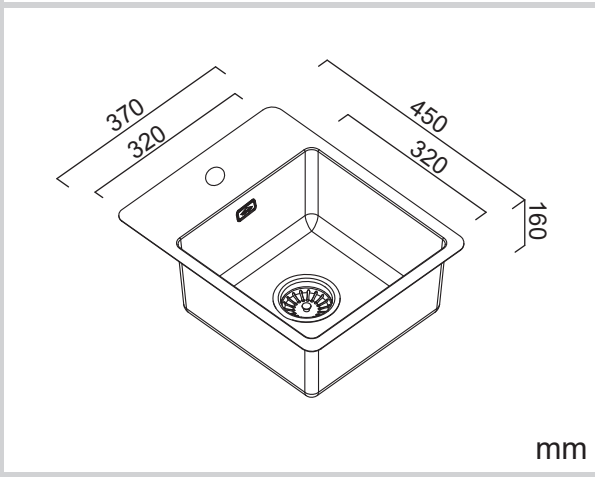
Model Code: BS2B

Included Accessories

ICP8	6020/OFLOW3-B	WKC-B

Optional Accessories

Dimensions



Specifications

Description	Single bowl, Inset Sink
Overall Sink Size	370mm x 450mm x 160mm deep
Bowl Dimensions	320mm x 320mm x 160mm deep
Drainer Length	N/A
Technic	Press
Material	Stainless steel SUS304

Installation

Fixings	Inset clips supplied
Template	N/A
Min Cabinet Size	450mm
Waste Holes	1 x 90mm square Compatible with waste disposal
Sealing Strip	N/A

Plumbing

Waste Fittings	1 x (90mm x 2") basket waste included
Overflow	Rectangular Overflow

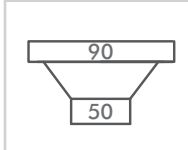
Packaging

Carton Type	EPS protection & Carton
Gross Weight	3.27Kg
Carton Size	440mm x 263mm x 513mm
Pack QTY	1

SURFACE FINISH



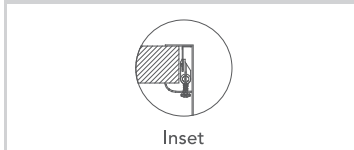
WASTE KIT



MATERIAL



INSTALLATION OPTIONS



PROFILE

