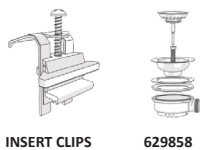


## FD100L FORMHAUS INSET

CRISTALITE+®



### INCLUDED ACCESSORIES



INSERT CLIPS

629858

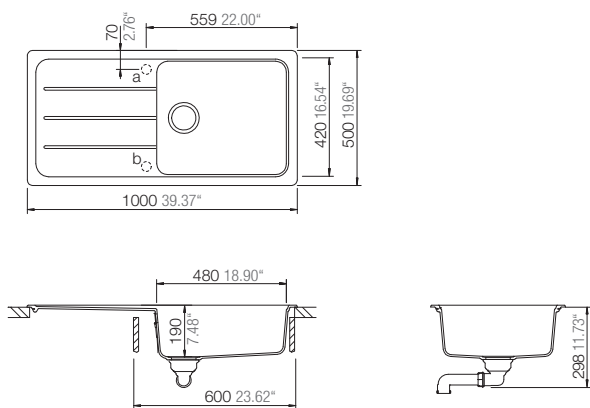
### OPTIONAL ACCESSORIES



DR006

SLCB

### DIMENSIONS



### SPECIFICATIONS

Description	Single Bowl with drainer, Inset
Overall Sink Size	L1000mm x W500mm x D190mm
Bowl Dimensions	L480mm x W420mm x D190mm
Drainer Length	480mm
Bowl Radius	25mm
Water Capacity	22 Litres
Technic	Granite Sink
Material	Granite - Cristalite

### INSTALLATION

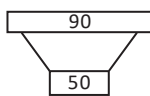
Fixings	Inset clips supplied
Template	N/A
Min Cabinet Size	600mm
Tap Holes	NTH (can be drilled)

### SURFACE FINISH



SILKY SMOOTH

### WASTE KIT



90

50

### MATERIAL



GRANITE

CRISTALITE+®

### PLUMBING

Waste Fittings	1 x (90mm x 2") basket waste included
Overflow	Included

### INSTALLATION OPTIONS



INSET

### PACKAGING

Gross Weight	18.5kg
Carton Size	1060mm x 580mm x 320mm
Pack QTY	1

### AVAILABLE IN



FD100LW  
(ALPINA)



FD100LB  
(ONYX)