



Model Code: NQ180T11

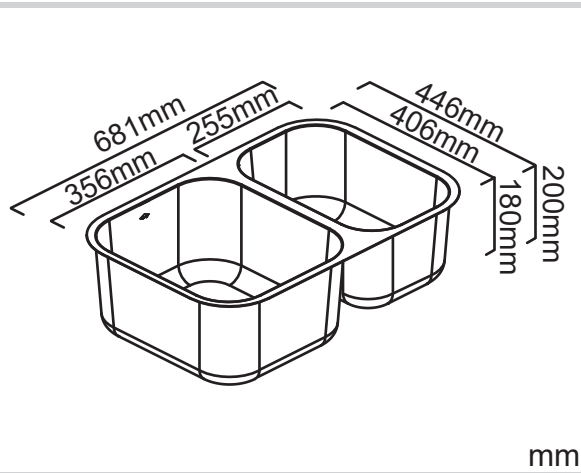
Included Accessories



Optional Accessories



Dimensions



Specifications

Description	Double bowl, Inset/Undermount Sink
Overall Sink Size	681mm x 446mm x 200mm deep
Bowl Dimensions	356mm x 406mm x 200mm deep 255mm x 406mm x 180mm deep
Drainer Length	N/A
Technic	Press
Material	Stainless steel SUS304

Installation

Fixings	Inset & Undermount clips supplied
Template	Supplied
Min Cabinet Size	800mm
Waste Holes	2 x 90mm round Compatible with waste disposal

Plumbing

Waste Fittings	2 x (90mm x 2") basket waste included
Overflow	Available, conditions apply

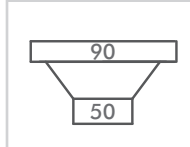
Packaging

Carton Type	EPS protection & Individual carton
Gross Weight	9Kg
Carton Size	800mm x 505mm x 295mm
Pack QTY	1

SURFACE FINISH



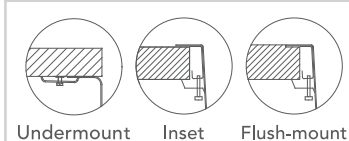
WASTE KIT



MATERIAL



INSTALLATION OPTIONS



PROFILE

