



Model Code: NQ200T10

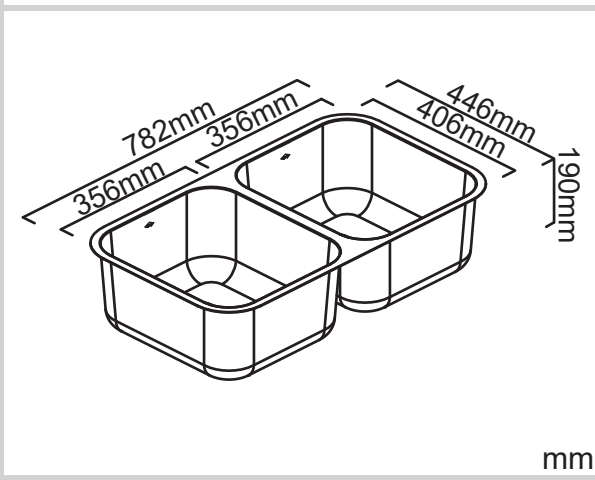
### Included Accessories

6020	ICC12	UMD8
ADT1	KTA029-BN	

### Optional Accessories

AQCB		

### Dimensions



### Specifications

Description	Double bowl, Inset/Undermount Sink
Overall Sink Size	782mm x 446mm x 190mm deep
Bowl Dimensions	356mm x 406mm x 190mm deep 356mm x 406mm x 190mm deep
Drainer Length	N/A
Technic	Press
Material	Stainless steel SUS304

### Installation

Fixings	Inset & Undermount clips supplied
Template	Supplied
Min Cabinet Size	900mm
Waste Holes	2 x 90mm round Compatible with waste disposal

### Plumbing

Waste Fittings	2 x (90mm x 2") basket waste included
Overflow	Available, conditions apply

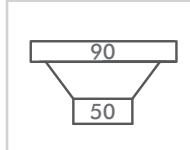
### Packaging

Carton Type	EPS protection & Individual carton
Gross Weight	10.5Kg
Carton Size	900mm x 505mm x 295mm
Pack QTY	1

#### SURFACE FINISH



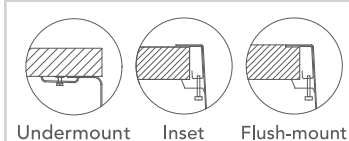
#### WASTE KIT



#### MATERIAL



#### INSTALLATION OPTIONS



#### PROFILE

