



Model Code: NQ200T11

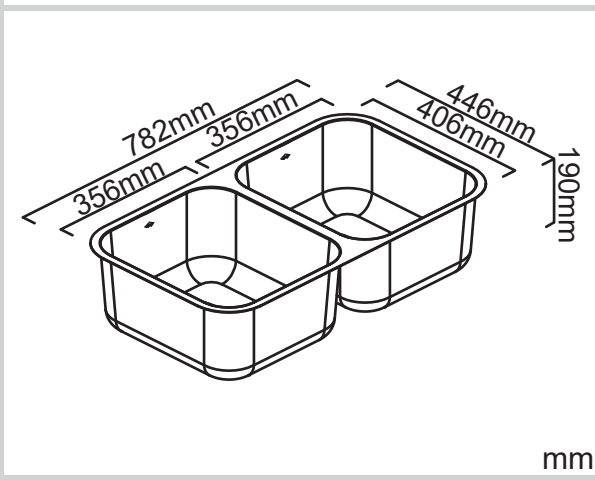
Included Accessories



Optional Accessories



Dimensions



Specifications

| | |
|-------------------|--|
| Description | Double bowl, Inset/Undermount Sink |
| Overall Sink Size | 782mm x 446mm x 190mm deep |
| Bowl Dimensions | 356mm x 406mm x 190mm deep 356mm x 406mm x 190mm deep |
| Drainer Length | N/A |
| Technic | Press |
| Material | Stainless steel SUS304 |

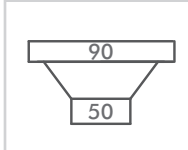
Installation

| | |
|------------------|--|
| Fixings | Inset & Undermount clips supplied |
| Template | Supplied |
| Min Cabinet Size | 900mm |
| Waste Holes | 2 x 90mm round Compatible with waste disposal |

SURFACE FINISH



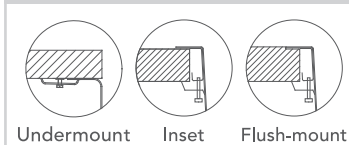
WASTE KIT



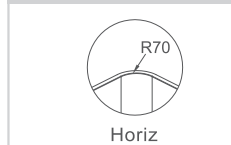
MATERIAL



INSTALLATION OPTIONS



PROFILE



Plumbing

| | |
|----------------|---------------------------------------|
| Waste Fittings | 2 x (90mm x 2") basket waste included |
| Overflow | Available, conditions apply |

Packaging

| | |
|--------------|------------------------------------|
| Carton Type | EPS protection & Individual carton |
| Gross Weight | 10.8Kg |
| Carton Size | 900mm x 505mm x 295mm |
| Pack QTY | 1 |

Abey are Australia's leaders in sinkware, designing and manufacturing to the world's highest quality specifications as well as sourcing and bringing you Europe's very best, leading edge designs – practical, affordable, inspirational, stylish, timeless or cutting edge. When you buy an Abey stainless steel sink you receive the highest quality and 25 year warranty. Abey and the manufacturer are continually seeking ways to improve the design specifications, aesthetic and production techniques of the products. As a result, alterations to the specifications and dimensions of the products and designs occur continually.