


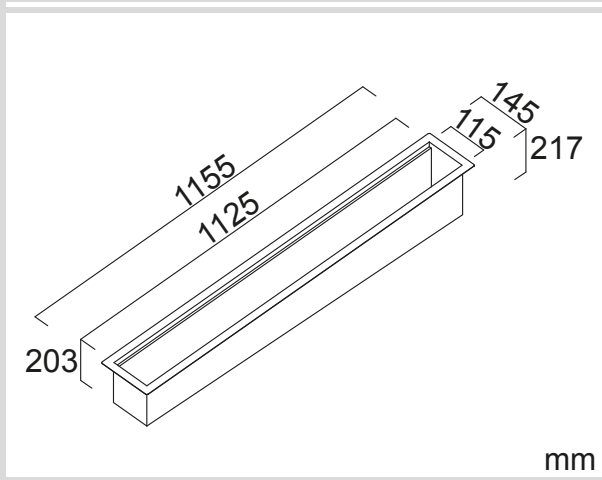


Model Code: PSA1200

Included Accessories

 Cutting Board	 Knife Block	 Bottle Holder	 Prep-Container	 Drainer	
 Inset Clip	 WK-50-40-BTW	 Undermount Clip			

Dimensions



Specifications

Description	Single bowl
Overall Sink Size	1155mm x 145mm x 203-217mm deep
Bowl Dimensions	1125mm x 115mm x 203-217mm deep
Drainer Length	N/A
Technique	Fabrication
Material	Stainless steel SUS304

Installation

Fixings	Inset clips supplied
Template	N/A
Min Cabinet Size	1195mm
Waste Holes	1 x 50mm round Compatible with waste disposal

Plumbing

Waste Fittings	1 x (50mm x 2") basket waste included
Overflow	N/A

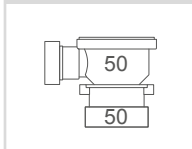
Packaging

Carton Type	EPS protection & individual carton
Gross Weight	16.5Kg
Carton Size	1240mm x 230mm x 290mm
Pack QTY	1

SURFACE FINISH



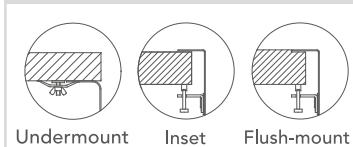
WASTE KIT



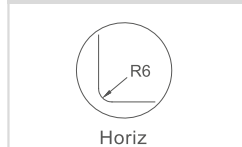
MATERIAL



INSTALLATION OPTIONS



PROFILE



Abey are Australia's leaders in sinkware, designing and manufacturing to the world's highest quality specifications as well as sourcing and bringing you Europe's very best, leading edge designs – practical, affordable, inspirational, stylish, timeless or cutting edge. When you buy an Abey stainless steel sink you receive the highest quality and 25 year warranty. Abey and the manufacturer are continually seeking ways to improve the design specifications, aesthetic and production techniques of the products. As a result, alterations to the specifications and dimensions of the products and designs occur continually.