



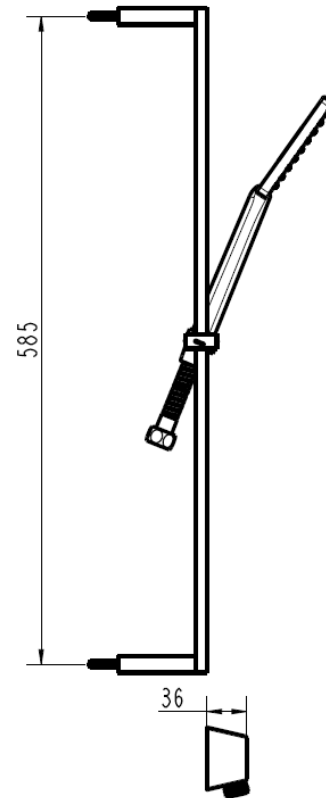
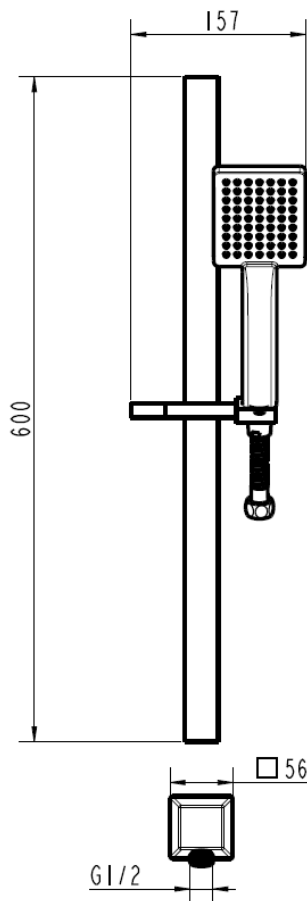
GARETH  
ASHTON

## SRA09

### ABS SQUARE SINGLE FUNCTION RAIL SHOWER

WELS Rating 3 Star 8.5L/min

WELS Registration #S13913



#### AVAILABLE IN



SRA09  
(CHROME)

P: 1800 809 143

E: [mail@abey.com.au](mailto:mail@abey.com.au)

W: [www.abey.com.au](http://www.abey.com.au)

