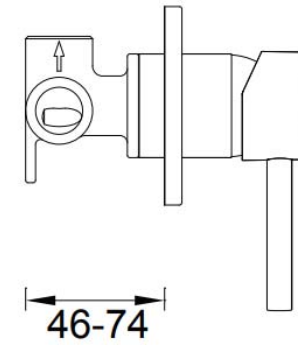
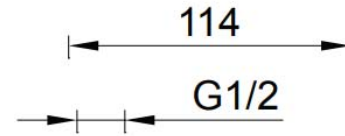
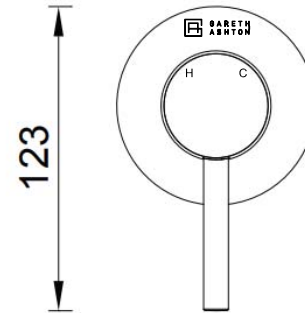
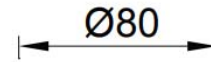


LOGO details



1. Watermark components standard.

2. Individual packed with EPE inner and "GA" color box.



Product code | WMS001-316

Material | SUS316

Finish | Brush

Date | 30 Mar 2020