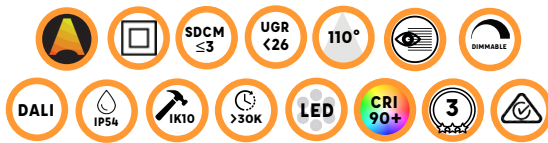




Introducing the LUCID T, with powerful illumination & advanced LED technology, a modern, minimal design allows it to fit into any residential or commercial space.

FEATURES

- + High Efficacy
- + Integrated, flicker-free, dimmable driver
- + IP 54 - suitable for wet areas
- + Compatible with remote Casambi CBU-TED Bluetooth Controllable Dimmer (71-CASCBU)



GENERAL SPECIFICATIONS

LED	29W
Lumens	3140 lm (3000K & 4000K)
Efficacy	111 lm/w (3000K & 4000K)
Colour Temperature	<input type="checkbox"/> 3000K, Warm White <input type="checkbox"/> 4000K, Cool White
Material	PMMA Polycarbonate
Finish	White Black
Beam	110°
CRI	90+
IP	54
IK	10
Colour Deviation	SDCM ≤3
UGR	<26
Lifetime	>30,000hrs L70 B10
Warranty	3 Years

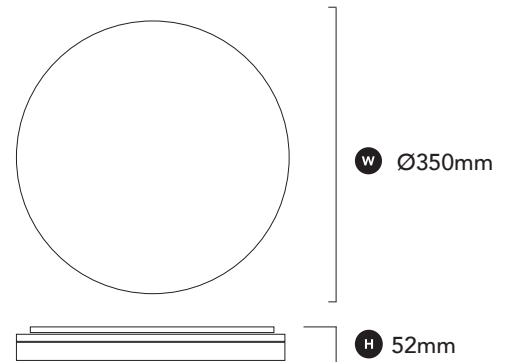
PROJECT DETAILS

PROJECT:

TYPE:

NOTES:

DIMENSIONS (mm)



DRIVER SPECIFICATIONS

Power	240V Built-In Flicker Free Dimmable Driver
Dimming	Phase Cut Dimming
Power Factor	> 0.95

DALI dimming available upon request

PRODUCT CODE

White, 3000K	83-LCDT3529W3
White, 4000K	83-LCDT3529W4
Black, 3000K	83-LCDT3529B3
Black, 4000K	83-LCDT3529B4