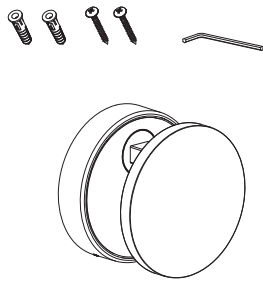


**⚠ CAUTION - light fitting must be installed by a licensed electrician.**

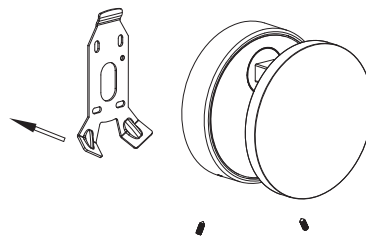
- Please ensure to read instructions correctly for the installation of the fitting provided. Failure to do so will result in a void of warranty and compromises the safety of luminaire.
- Radiant Lighting are not liable for warranties when luminaire is damaged by incorrect installation. The installation of the luminaires must be in accordance with the national safety regulations.

Please refer to Radiant Lighting's General Terms & Conditions for more information concerning the installation and warranty of our products.

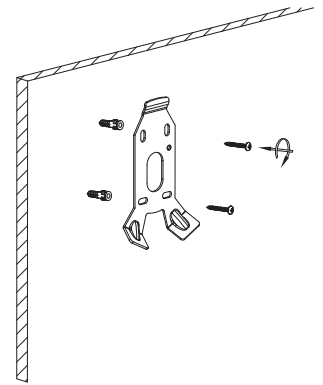
STEP 1



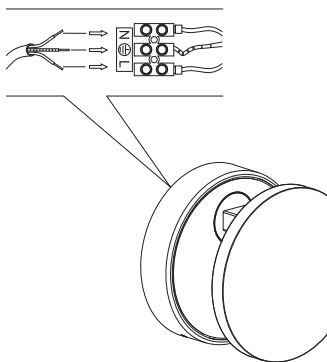
STEP 2



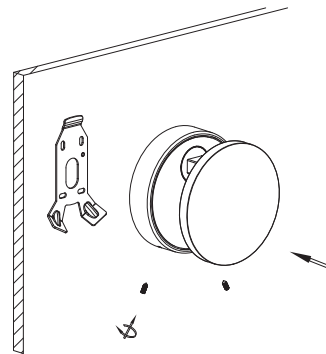
STEP 3



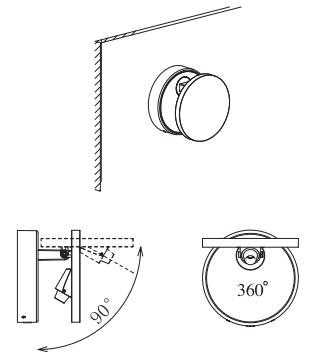
STEP 4



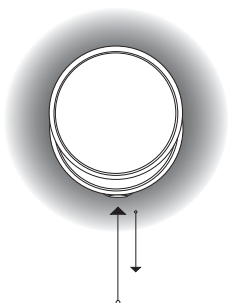
STEP 5



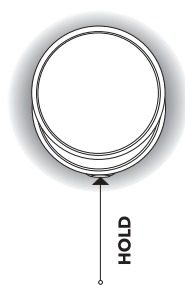
STEP 6



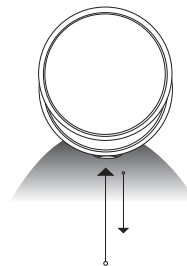
### OPERATING INSTRUCTIONS



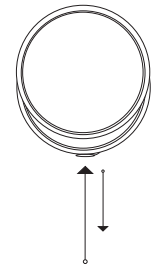
Firm press to turn on.



Firm press and hold to dim.



Firm press again to select spot light setting.



Firm press to turn off.

Category	Wall	CRI	90+
Power	Ambient: 6W   Reading: 2.6W	Material	Aluminium & PMMA
IP Rating	40	Warranty	3 Years



For warranty information please visit [radiantlighting.com.au/warranty](http://radiantlighting.com.au/warranty)

For all other queries, please call us on 1300 438 609