

PROJECT DETAILS

PROJECT:

TYPE:

NOTES:

FEATURES

- + Allows a square light configuration.
- + Seamless styling.
- + 3mm ceiling detail.

DIMENSIONS (mm)

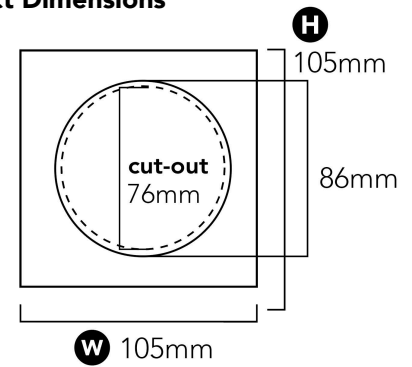
GENERAL SPECIFICATIONS

Fittings Required	Edge Mini
Material	Powder Coated Aluminium
Finish	White Black
Dimensions	105mm (w) x 105mm (h) x 3mm (d)
Warranty	7 Years

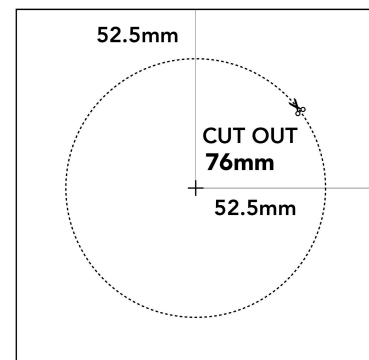
PRODUCT CODE

White	118-EDMF1W
Black	118-EDMF1B

Product Dimensions



Cut-Out Information



***Please note:** Edge Mini fitting is supplied seperately.



Don't let the small size fool you, the EDGE MINI packs a powerful punch! Providing intense illumination with very little energy, ideal for areas with lower ceilings like bathrooms and over vanity mirrors.

FEATURES

- + Adjustable head up to 25°
- + Precision reflector with clear lens - for better light distribution
- + Specially designed heat sink - for class leading heat dissipation
- + Deep set lamp position - for visual comfort and glare control
- + Compatible with remote Casambi CBU-TED Bluetooth Controllable Dimmer (71-CASCBU) & with Casambi BasicDim Driver 11W (71-CAS300)



GENERAL SPECIFICATIONS

LED	11W *operating wattage 12W
Lumens	975 lm (3000K) 995 (4000K)
Efficacy	75 lm/w (3000K) 81 lm/w (4000K)
Colour Temperature	<input type="checkbox"/> 3000K, Warm White <input type="checkbox"/> 4000K, Cool White
Material	Powder Coated Aluminium
Finish	White Black
Beam	15° 24° 36° 60°
CRI	92+
IP	44
Colour Deviation	SDCM ≤2
UGR	<19
Lifetime	>55,000hrs L80 B10
Warranty	7 Years

Please Note: When using C-Bus, use universal or trailing edge dimming modules

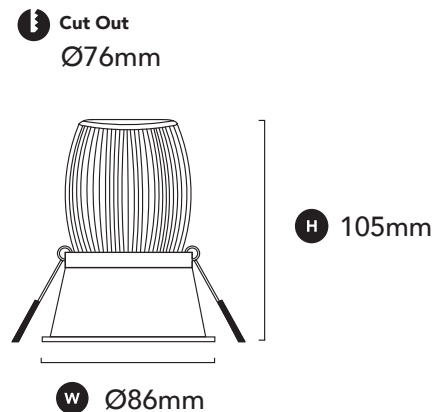
PROJECT DETAILS

PROJECT: _____

TYPE: _____

NOTES: _____

DIMENSIONS (mm)



DRIVER SPECIFICATIONS

L 98 x W 40 x H 22 mm

Power	300mA 240V Remote, Flicker Free Dimmable Driver
Dimming	Phase Cut Dimming
Power Factor	> 0.90

DALI dimming available upon request

PRODUCT CODE

White, 3000K, 60°	118-ED2M11W603
White, 4000K, 60°	118-ED2M11W604
Black, 3000K, 60°	118-ED2M11B603
Black, 4000K, 60°	118-ED2M11B604

REFLECTOR CODES

15° Reflector	118-RFLP15
24° Reflector	118-RFLP24
36° Reflector	118-RFLP36