



PROGRESSIVE MATERIALS

SUPPLIERS OF SPECIALIST FIRE PROTECTION & ARCHITECTURAL LININGS





TABLE OF CONTENTS

ABOUT US

WHY PROGRESSIVE MATERIALS

TECHNICAL & SPECIFICATION TEAM

LOCAL WAREHOUSE

PARTNERS

PASSIVE FIRE PROTECTION

ACOUSTIC METAL CEILINGS

PREMIUM FIBRE CEMENT

CPD TRAINING

BECOME YOUR DISTRIBUTOR

CONTACT



ABOUT US

Progressive Materials provides world-class Passive Fire Protection solutions, Ceiling systems and Acoustic solutions and Premium Fibre Cement Facade Materials for construction throughout Western Australia.

We are the technical consultant and exclusive distributor in WA of Promat Passive Fire Protection systems, SAS International metal ceilings products and Equitone Fibre cement products.

Our dedicated and technically skilled team located in Wangara are ready to assist you with technical advice, specification support (compliance to Australian Standards) or supply inquiries to suit your project requirements. We are on hand to help every step of the way.



WHY CHOOSE PROGRESSIVE MATERIALS

1

LOCAL STOCK

We have one of the largest passive fire, metal ceiling and premium fibre cement warehouse's in Australia. Located in Wangara, WA.

2

SAME DAY DELIVERY

We offer same-day order processing and delivery. Ask about our expedited service for even quicker turnaround!

3

SPECIFICATION TEAM

Our team of industry experts is here to help you design compliant passive fire protection systems, metal ceilings and premium fibre cement tailored to your project.

TECHNICAL AND SPECIFICATION TEAM

At Progressive Materials, we provide comprehensive specification, technical and onsite support (compliance to Australian Standards) to ensure seamless project execution.

Our expert team assists architects, designers, and contractors with tailored product specifications, compliance guidance, and technical documentation.



From Metal Ceilings to Passive Fire Protection and Premium Fibre Cement, we offer in-depth advice, CAD drawings, and performance data to help you select the right solutions for your project.

Our onsite support ensures proper installation and optimal performance, giving you confidence in every stage of your project.



LOCAL WAREHOUSE

Our large warehouse facility in Wangara is stocked with a wide range of Acoustic Metal Ceilings, Passive Fire Protection and Premium Fibre Cement, ensuring fast and reliable supply for your projects.

With local stock available, we can provide quick turnaround times and reduce lead times for our customers. Whether you need materials for a small project or a large-scale development, our Wangara facility is equipped to meet your needs with efficiency and convenience.



PROGRESSIVE MATERIALS PARTNER

PROMAT

Promat

by etex

Promat is the market leading manufacturer of passive fire building products with centres and production facilities all around the world. Promat's range of products include fire protective boards, intumescent paints, mortars, fire glazing, fire stopping and a wide variety of products for high performance insulation in the construction industry, transport and energy markets.

For over 60 years, Promat has been designing, testing, and manufacturing innovative passive fire protection and high-temperature thermal insulation solutions, establishing itself as a premium brand. It continues to develop market-changing products that enhance safety, improve quality of life, and provide peace of mind for building owners and users.

Progressive Materials exclusively specifies, stocks, and supplies the full range of Promat Passive Fire Protection products in WA.

PROGRESSIVE MATERIALS PARTNER

SAS INTERNATIONAL

SAS has been a global leader in metal ceiling systems since 1968, specialising in Acoustic Ceilings. With a pioneering approach, SAS delivers superior aesthetics and performance, using advanced acoustic modelling and in-house testing to design and manufacture some of the world's most innovative acoustic ceiling solutions.

Their range includes suspended ceilings, baffle ceilings, rafts, modular ceilings, linear ceilings, and polynodal ceilings. SAS recently achieved Cradle to Cradle Bronze Certification (Version 4.0), ensuring their products are safe, circular, and responsibly made.

At Progressive Materials, we're proud to be the exclusive distributor and technical consultant for SAS International in WA. Our team can guide you in specifying the right metal ceiling to meet both acoustic and design requirements for your projects.



PROGRESSIVE MATERIALS PARTNER

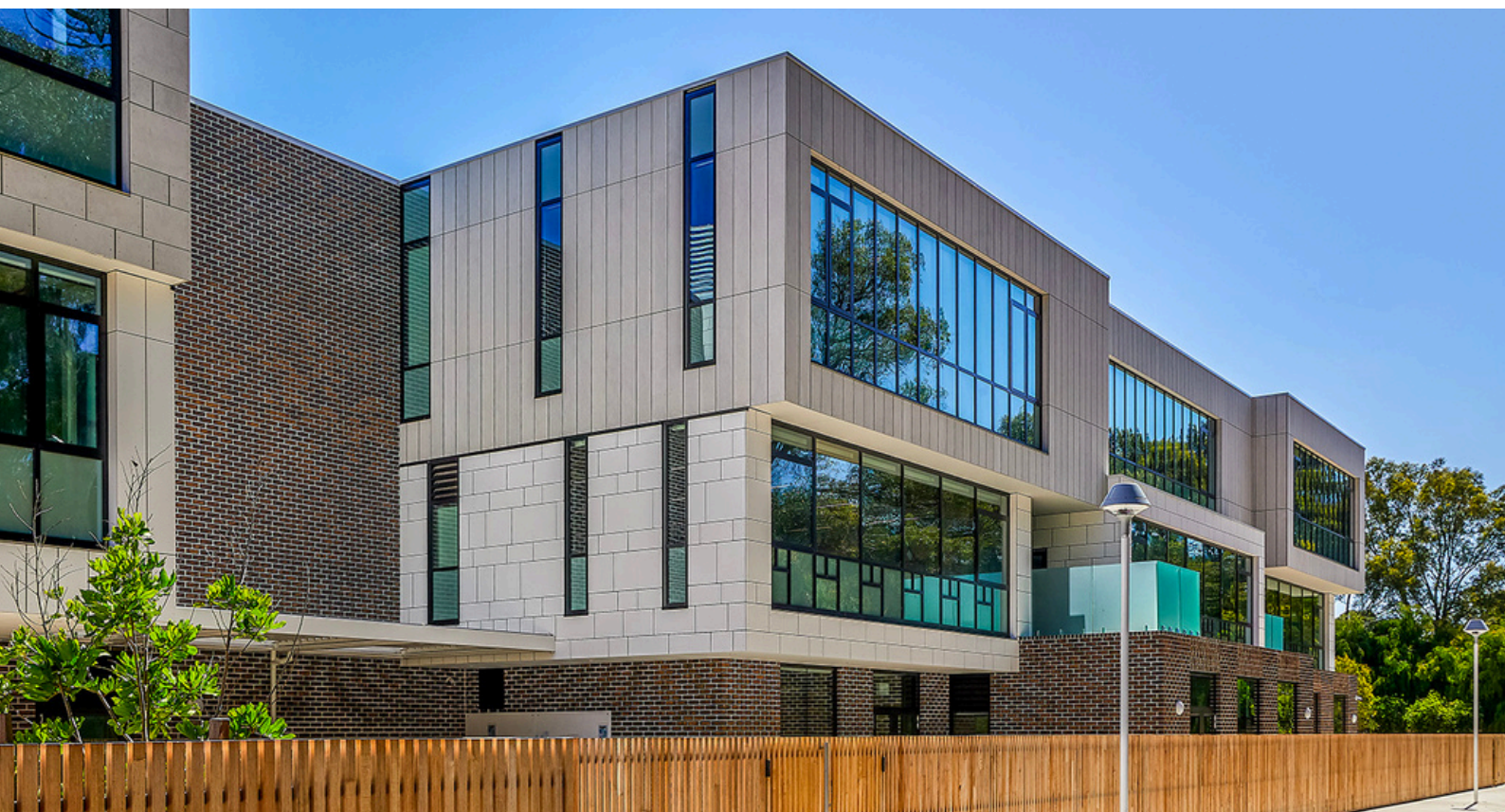
EQUITONE

EQUITONE
by etex

Equitone By Etex has manufactured fibre cement since 1905. They deliver exceptionally durable, sustainable, and design-flexible facade materials. Equitones high density fibre cement panels can be cut to any size or shape and are fully customisable – perforated, milled, printed – for truly creative architectural expression.

Equitone takes sustainability seriously: they are the first and only Cradle to Cradle Certified® fibre cement material, and their products are 100% recyclable, lightweight, modular, and designed for a lifespan exceeding 50 years. Performance is equally impressive with anti graffiti protection, resistance to extreme temperatures, and ventilated facade systems that maximise durability

Equitone panels are non combustible, meet top fire reaction and strength standards, and emit no harmful gases. Backed by expert consultation and comprehensive technical resources, Equitone empowers architects and builders to design with confidence, creating vibrant, modern, and environmentally responsible facades.



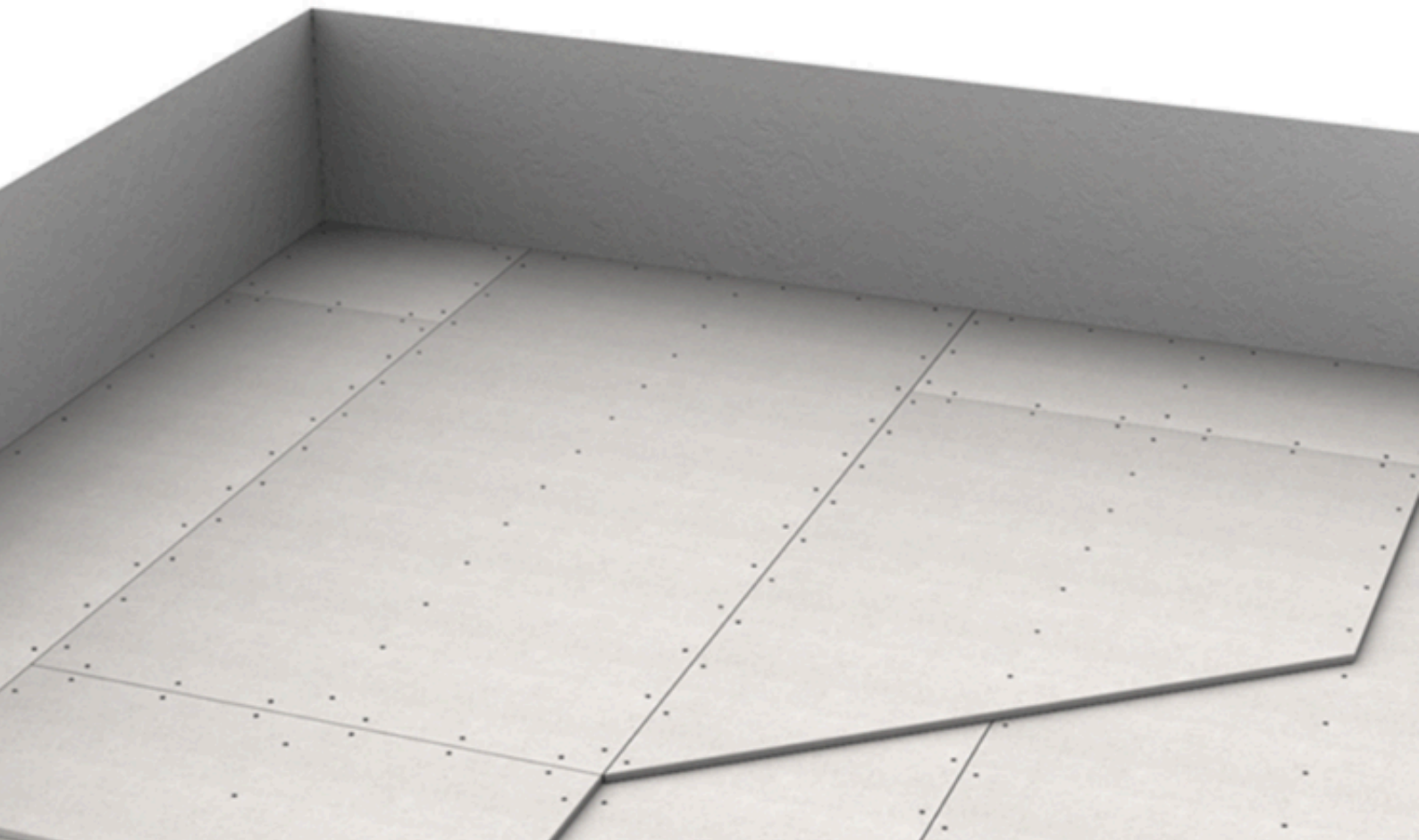
PROGRESSIVE MATERIALS PARTNER

WURTH



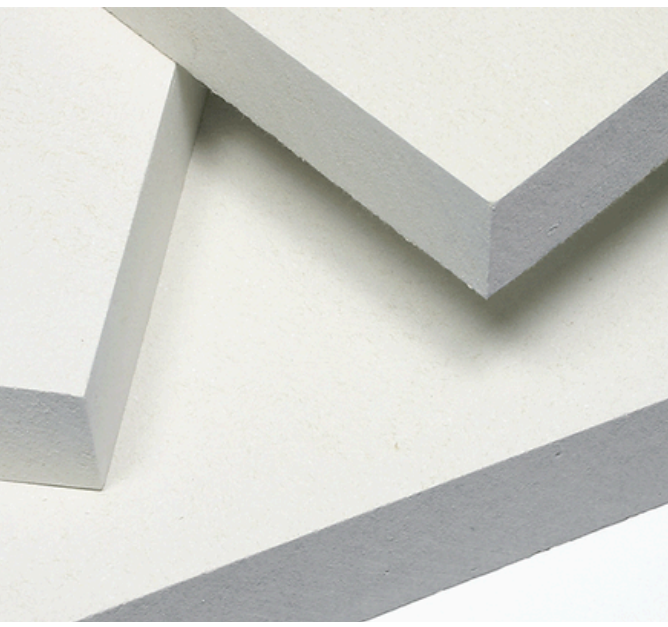
Progressive Materials is proud to partner with Würth, a globally respected brand with over 75 years of experience in fastening, assembly, and installation solutions. Operating in more than 80 countries, Würth is renowned for its German-engineered quality, innovation, and rigorous compliance with international standards. Their extensive product range supports a wide variety of industries, including construction, metalworking, and maintenance.

We have selected key Würth products that are fully compatible with our systems, ensuring our customers benefit from seamless performance, durability, and efficiency. As an authorised reseller, Progressive Materials brings the strength of Würth to projects across Western Australia.





PASSIVE FIRE PROTECTION



Passive Fire Protection provides critical protection to a building's structure. In the event of a fire passive fire systems are relied on to provide safe passage for the occupants of the building, while providing essential protection to fire fighting crews to save life and property.

Early engagement in the design process with passive fire experts ensures compliance, buildability as well as opportunities for significant cost savings by optimising systems.

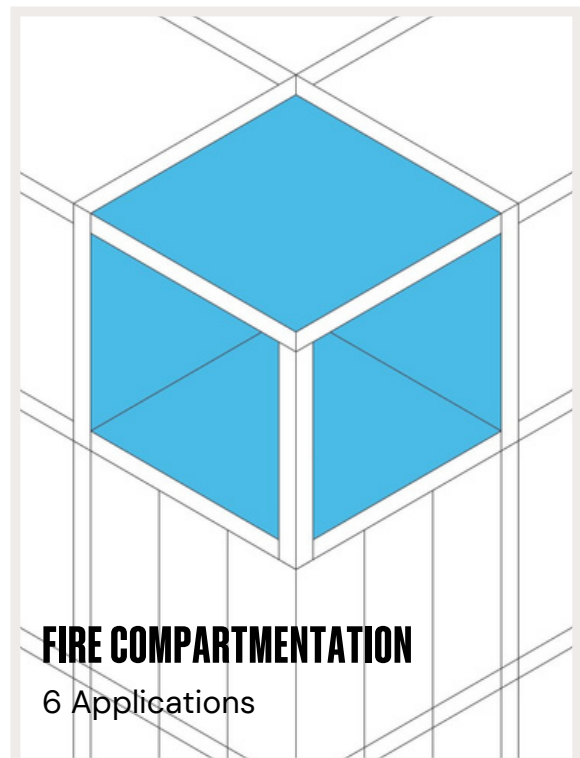
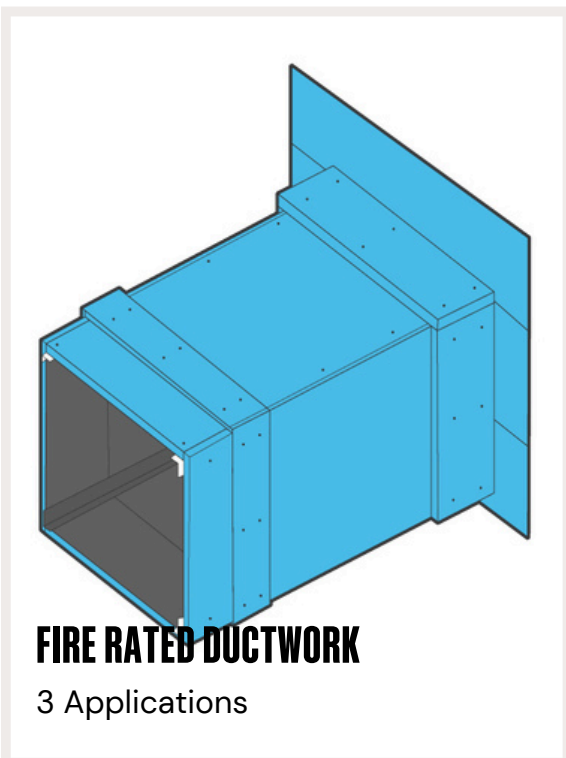
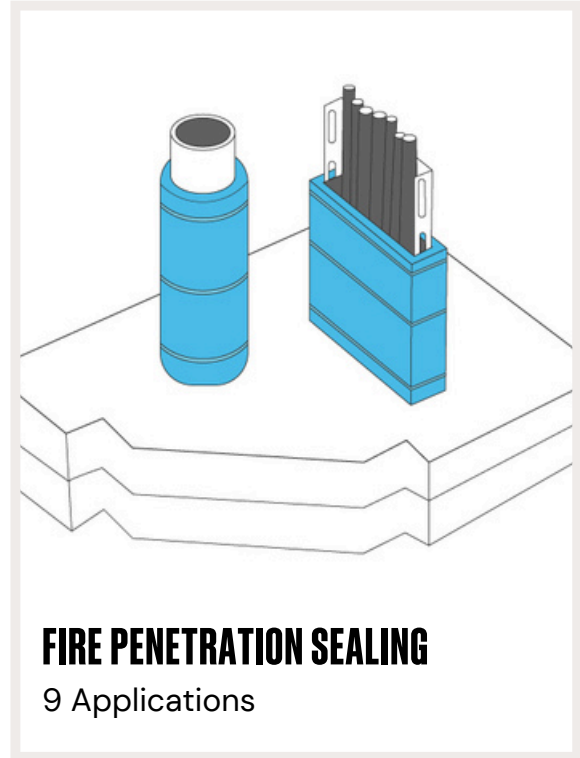
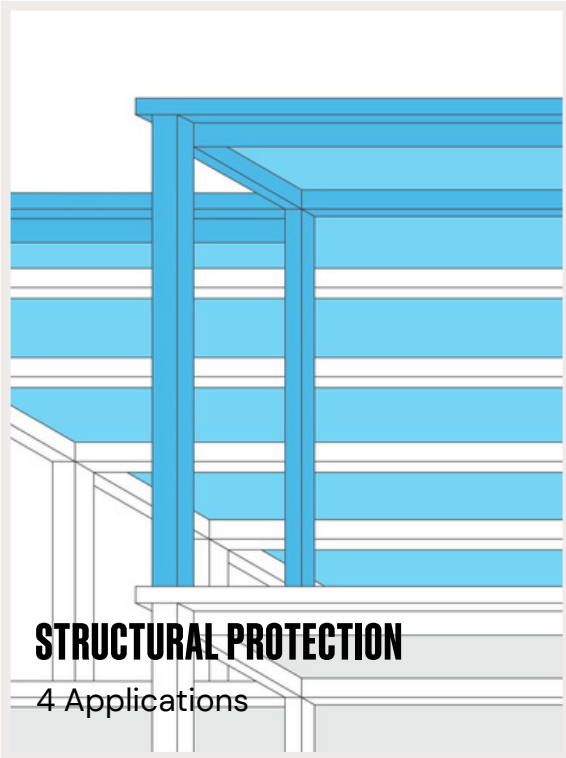


Passive Fire Protection products are continuously being evolved and tested to meet the needs of an ever changing built environment.

Progressive Materials stocks an extensive range of Promat products in our Wangara warehouse, ready for same-day delivery.

PASSIVE FIRE PROTECTION

APPLICATIONS





ACOUSTIC METAL CEILING



Metal Ceilings offer a versatile and high-performance solution for both aesthetics and acoustics. Our range of SAS products include Metal Pan Ceilings, Linear Ceilings, Expanded Mesh Ceilings, Open Cell Ceilings and Acoustic rafts.

Whether for sound absorption, amplification, or blocking, the right ceiling selection is crucial in shaping the acoustical properties of an environment.

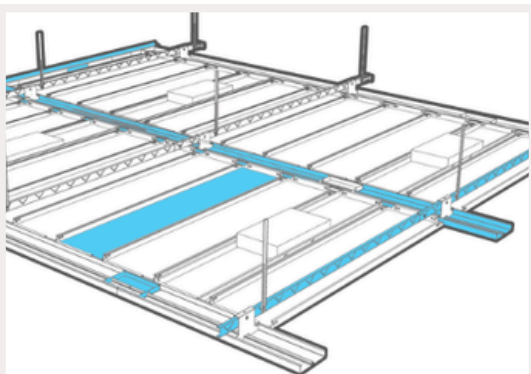


Built to be durable yet adaptable, SAS acoustic metal ceilings are the strongest suspended ceiling solution, ensuring easy installation and maintenance. They also enable seamless integration of lighting, ventilation, fire safety systems, and more.

With a wide variety of standard and bespoke solutions, we work closely with SAS to create unique ceilings that meet your exact project requirements.

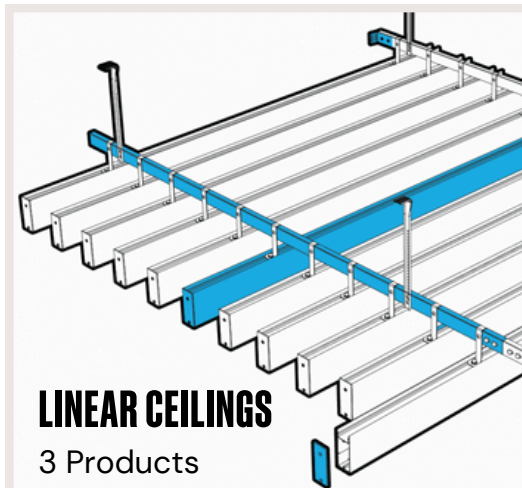
METAL CEILING

APPLICATIONS



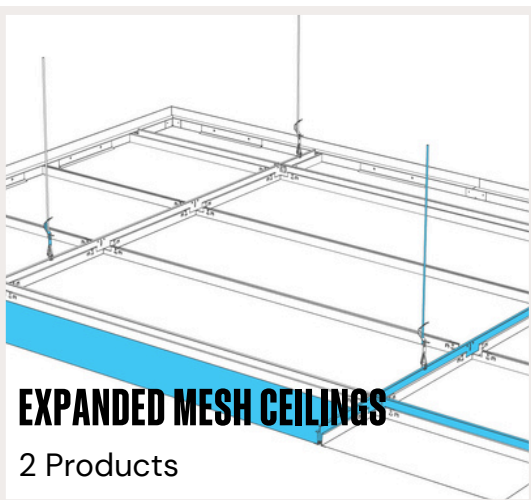
METAL PAN CEILINGS

6 Products



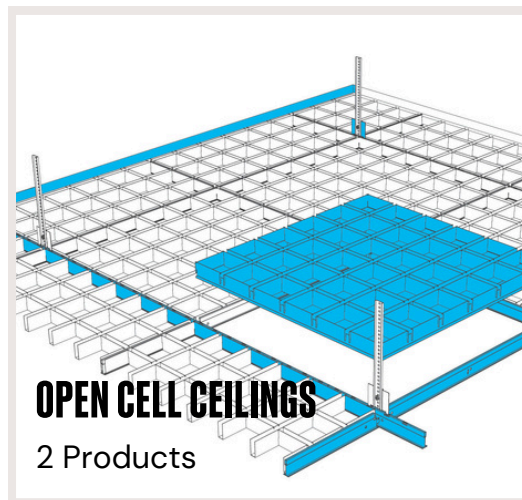
LINEAR CEILINGS

3 Products



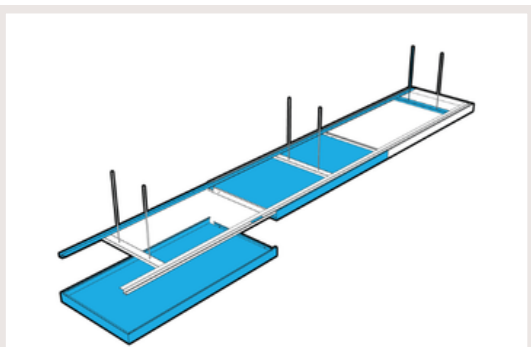
EXPANDED MESH CEILINGS

2 Products



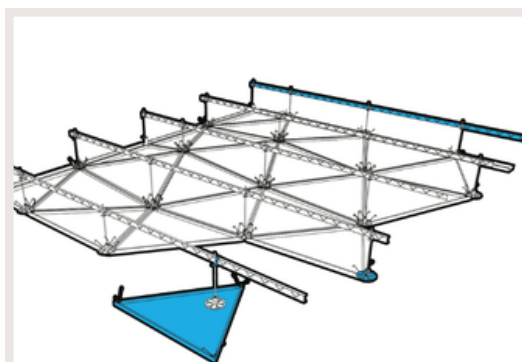
OPEN CELL CEILINGS

2 Products



ACOUSTIC RAFTS

1 Product



BESPOKE CEILINGS

Products



PREMIUM FIBRE CEMENT



Equitone fibre cement panels are premium, through-coloured cladding materials crafted specifically for architectural design.

They offer exceptional durability, non-combustible performance, and outstanding resistance to weather, fire, moisture and wear.



Their surfaces come in a range of textures and finishes, raw, smooth, ridged, or printed, and the panels can be cut, perforated, shaped or milled to realise unique design visions.

Progressive Materials proudly supplies Equitone across Western Australia, supporting architects and builders in bringing bold, sustainable designs to life.

PREMIUM FIBRE CEMENTT APPLICATIONS





CPD TRAINING

At Progressive Materials, we're committed to keeping you (and ourselves) at the forefront of the industry with our formal Continuing Professional Development (CPD) training sessions. Our expert-led courses cover:

- Structural Steel Fire Protection
- Fire Stopping
- Fire Compartmentation
- Acoustic Ceiling Design

In today's fast-evolving professional landscape, staying relevant and continuously enhancing your skills is no longer optional; it's essential. CPD training provides the framework to ensure you remain competent, informed, and competitive in your field.

Progressive Materials Perth based CPD training is available at no cost. Sessions can be held at your premises or ours, tailored to your entire team. For contractors, we also offer specialised toolbox training sessions.



BECOME YOUR DISTRIBUTOR

Are you seeking a distribution partner in Australia?

Progressive Materials is looking to add more niche products to the portfolio of brands we represent exclusively.

With our technical and specification expertise, warehouse facilities, and dedication, we can seamlessly distribute and represent your product in the Australian market.

Contact our Managing Director, Adam Duff, at adam@progressivematerials.com.au for a confidential discussion.

CONTACT

📍 6 Distinction Road, Wangara

☎ 08 9445 8300

✉ info@progressivematerials.com.au

🖱 progressivematerials.com.au

