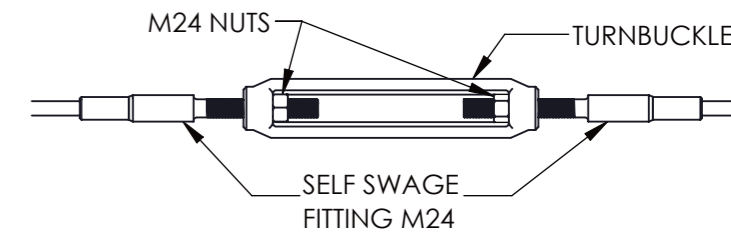
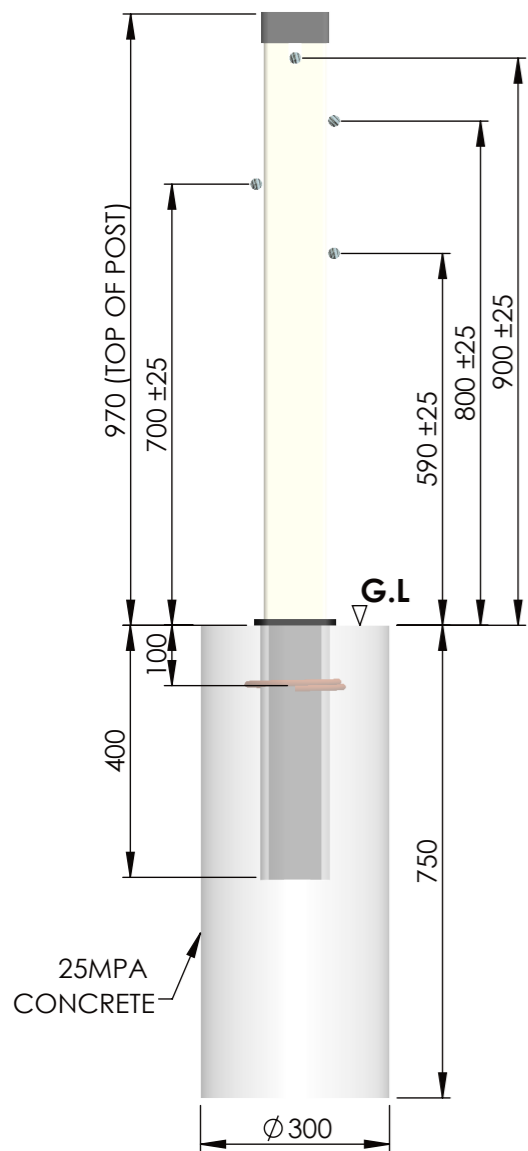


ITEM NO.	PART NO.	DESCRIPTION	QTY.	DWG NO.
1	2083131SLM	SL WIRE ROPE LINEPOST 1370mm WHITE - 3 SLOTS	1	FX747-1
2	2110162SLM	SL WIRE ROPE HALF TIE 8mm ALUMINIUM	3	FX747-2
3	2200036SLM	SL WIRE ROPE 19mm DIA.	AS REQUIRED	
4	2083070SLM	SL WIRE ROPE POST SOCKET	1	FX747-4
5	2083072SLM	SL WIRE ROPE LINEPOST CAP	1	FX747-3
6	2083073SLM	SL WIRE ROPE LINEPOST O-RING 5mm	1	FX747-5
7	2083086	SL WIRE ROPE REBAR RING SMOOTH	1	

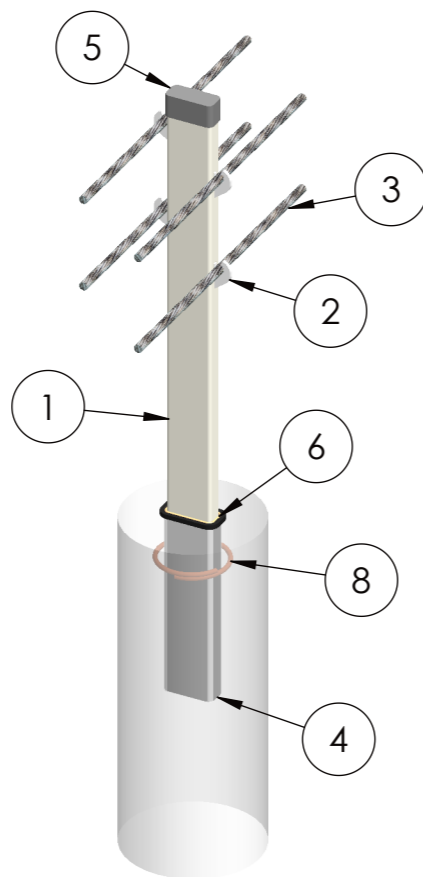
NOTE:
NO TWO TURNBUCKLES WITHIN 30m ON THE SAME WIRE ROPE.
FOR ADDITIONAL INFORMATION SEE PRODUCT MANUAL.



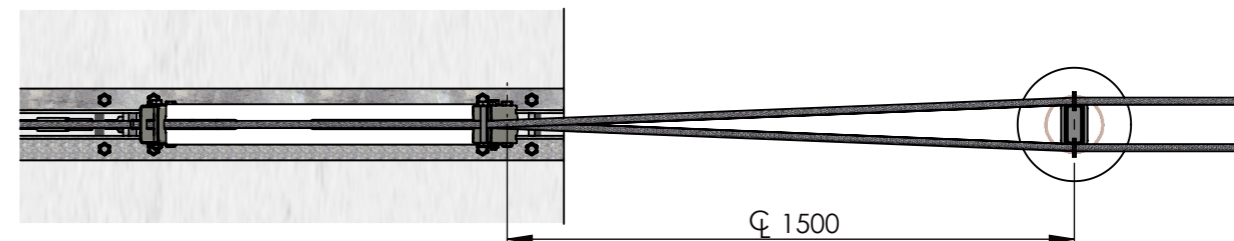
DETAIL D - TURNBUCKLE ASSEMBLY
SCALE 1 : 10



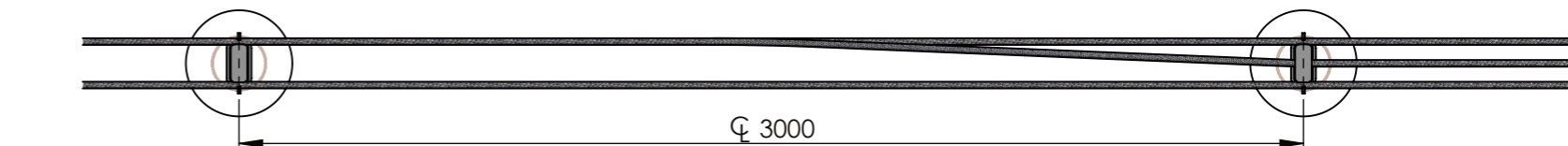
TYPICAL LINEPOST DETAIL
ELEVATION VIEW
SCALE 1 : 12



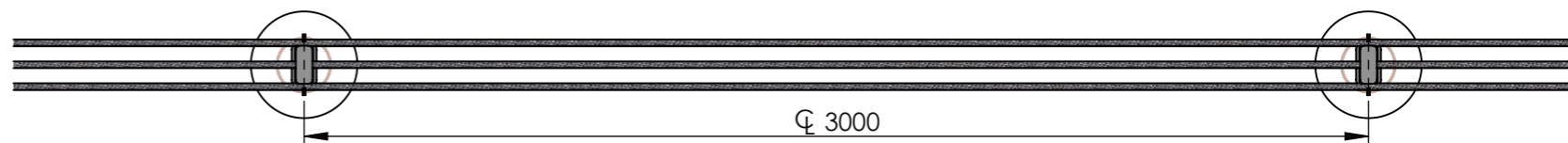
TYPICAL LINEPOST DETAIL
ISO EXPLODED VIEW
SCALE 1:10



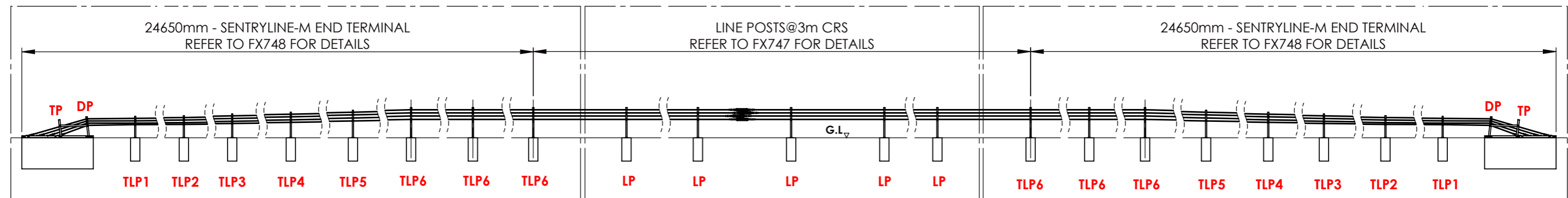
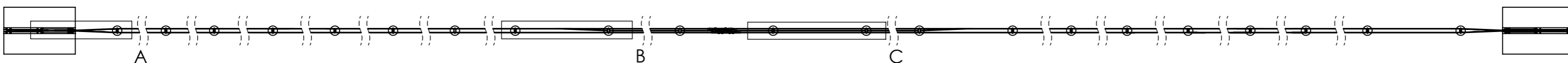
DETAIL A - PLAN VIEW
END TERMINAL TO TRANSITION POSTS WIRE ROPE TRANSITION
SCALE 1 : 20



DETAIL B - PLAN VIEW
TRANSITION POST TO LINE POST WIRE ROPE TRANSITION
SCALE 1 : 20



DETAIL C - PLAN VIEW
LINE POST TO LINE POST WIRE ROPE TRANSITION
SCALE 1 : 20



NOTES:

REVISION REV.DATE CHANGES MADE



306 Neilson Street
Onehunga, Auckland
P O Box 12949, Penrose
Auckland, New Zealand
Telephone: 09 634 1239
Facsimile: 09 634 4525

SCALE A3 1:125
ASSEMBLY NO.
WEIGHT(Kg)

DESCRIPTION
SENTRYLINE-M WIRE ROPE SYSTEM
GENERAL ARRANGEMENT

DRAWN S KERAI
DRW NO. FX754
DATE 4/12/2019

DESTROY ALL PREVIOUS ISSUES
0 REVISION