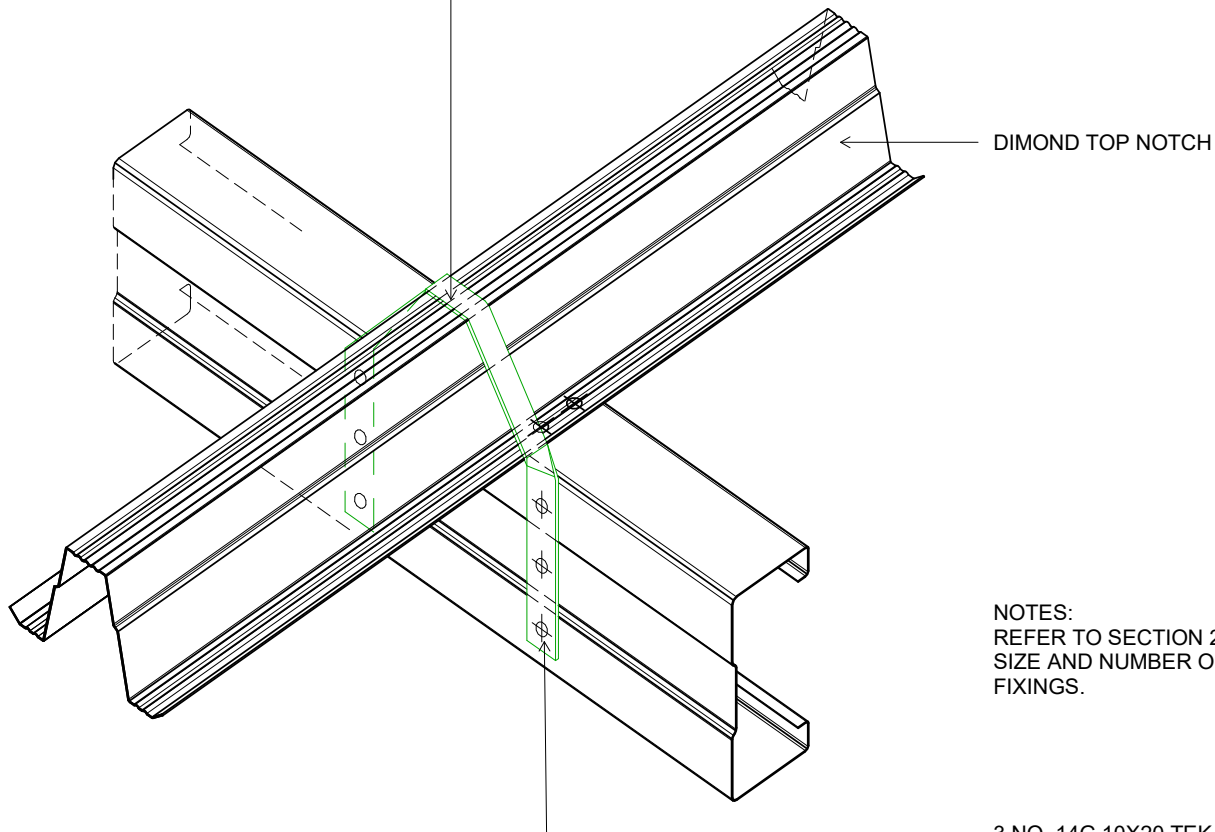


30 X 0.75 mm G550 GALVANISED STRAP REQUIRED IN VERY HIGH WIND AREAS



NOTES:
REFER TO SECTION 2.4.7 FOR
SIZE AND NUMBER OF
FIXINGS.

3 NO. 14G 10X20 TEK SCREWS SPACED
EQUALLY EACH SIDE

Original Size A4

Issue: 01	Reference dim_drv_tnt_1040
Scale: 1 : 5	
Date: 18 March 2019	