

# Submission Cover Sheet

Fishermans Bend Planning Review Panel

6

---

**Request to be heard?:** Yes

**Precinct:** General

**Full Name:** Simon Armstrong

**Organisation:** Water Polo Victoria

**Affected property:**

**Attachment:** Water\_Polo\_Victo

**Comments:** Submission and supporting documents attached.

Wednesday 25 October 2017

## Water Polo Victoria Submission: Fishermans Bend Framework

Water Polo Victoria (“WPV”) would like to submit a brief proposal for a water polo friendly, multi-purpose aquatic facility for inclusion in the Fisherman’s Bend Framework.

### Who are we

Established in 1927, Water Polo Victoria is the governing state sporting association for water polo in Victoria. We have over 1,400 members across the State and provide support to an additional 1,200 participants in school based competitions such as APS, GSV and AGSV.

Our association is home to some of the oldest surviving aquatic clubs in Melbourne such as the Melbourne Collegians Water Polo Club (established in 1894 as the Melbourne Swimming Club), the Footscray Swimming and Water Polo Club (established in 1909), and the Richmond Water Polo Club (established in 1921 as the Richmond Swimming Club).

### Our sport

For an introduction to our sport, please refer to the following online resource:

Olympic 2014, *Olympic Water Polo a Beginners Guide*, online video, 23 April, Olympic Channel, < <https://youtu.be/X9NkkHYGFTI>>.

### Our history

- **Mid-nineteenth century:** Water polo was forged in the UK
- **Saturday 1 March 1879:** Water polo is introduced to Australia with the first game held at St. Kilda. This makes Melbourne the first known city outside of the UK to have played water polo
- **1879:** First water polo club in Australia established in Ballarat
- **1886:** First known women’s water polo match in Victoria held in Ballarat
- **1900:** Water polo held at the Paris Olympics, making it the oldest, continuous team sport to be contested at the games
- **1927:** Victorian Amateur Water Polo Association established
- **1948:** The first Australian male water polo team competes at the London Olympics
- **2000:** The first Australian female water polo team competed at the Sydney Olympics in the inaugural women’s division where they claimed gold

## WPV ideal requirements

Please find below WPV's ideal specifications for a water polo friendly facility. Our recommendations factor in use by other sporting and recreational groups.

### Pool Dimensions

- 66 metres long<sup>1</sup> x 25 metres wide<sup>2</sup> x 2.4 metres deep<sup>3</sup>
- Heated
- Elevating pool depth
- Fittings for horizontal and vertical lane ropes
- Fittings for water polo lane ropes
- Moveable boom

### Storage for equipment

- Water polo goals
- Field lane ropes
- Scoreboards
- Ball cages

### Additional requirements

- Seating for 500 persons
- 2 x meeting rooms/marshalling areas for athletes. Includes whiteboard.
- An electronic wall scoreboard
- Changerooms with shower facilities
- Access to gender neutral and disabled changerrooms with shower facilities

---

<sup>1</sup> **Pool length:** Water Polo Victoria encourages the construction of a 66 metre pool length to enable two fields of play for competitions.

<sup>2</sup> **Pool Width:** Water Polo Victoria encourages the construction of a 25 metre pool width so that lane ropes could run horizontally as well as vertically across the pool. For example, in a 66 metre pool setup, a water polo group could utilise 33 metres for a session while the remaining 25-33 metres could be used for lap swimming with 10 vertical lanes or 10-13 horizontal lanes.

<sup>3</sup> **Pool Depth:** Water Polo Victoria strongly encourages all future athletic/club-orientated pool space to be constructed with a maximum depth equal to or greater than 2.0 metres. This is due to the growing height of our athletes. Water Polo Victoria does not endorse or support any future athletic/club-orientated pool space that is built with a maximum depth less than 2.0 metres. Having an elevated pool would address concerns of appropriate depth for athletic and recreational use.

## Water polo usage

Please find below the groups who would utilise the facility for water polo if constructed

### Water Polo Victoria

- State League. Winter Competition, April to June. State Championships, August to December. Tuesday, Wednesday and Thursday evenings
- Sub-junior. October to December, April to March. Sundays
- High performance training. Monday, Tuesday, Wednesday, Thursday and Saturday mornings
- All Schools Primary Cup. November
- All Schools Secondary Cup. August

### Water polo clubs

- Training. Seasonal to year-round. Monday, Tuesday, Wednesday and Thursday evenings. Saturday and Sunday afternoons

### School associations

- Seasonal. Friday evenings

### State Schools

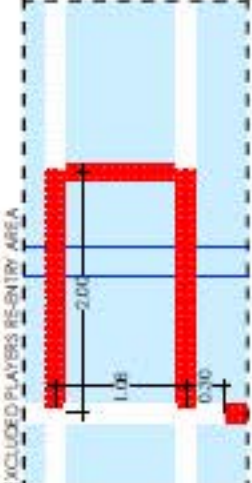
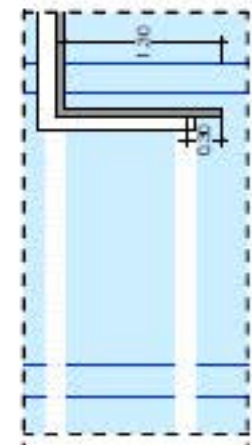
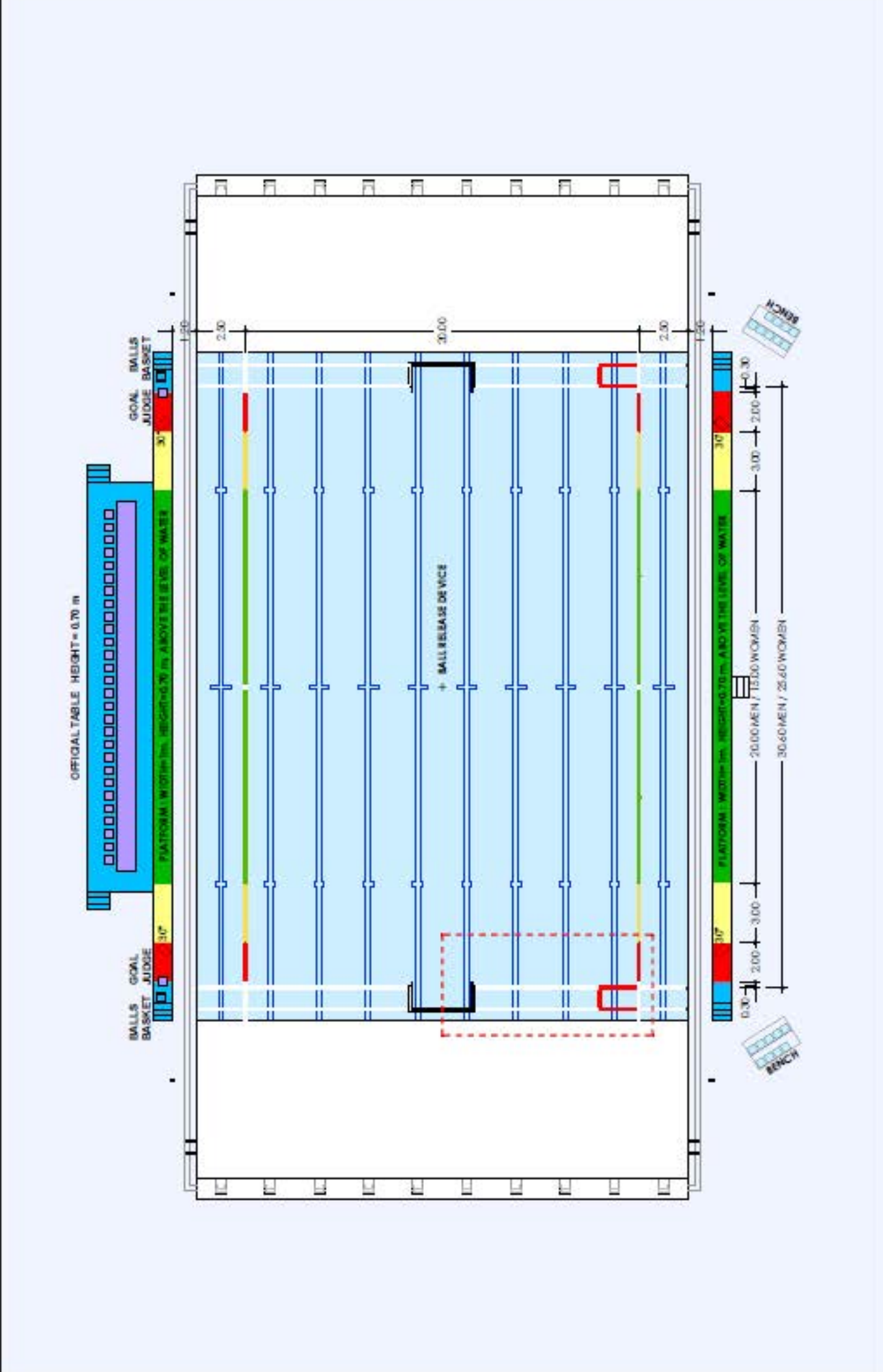
- Physical education. Seasonal. Weekdays
- After school training for inter-school competitions. Seasonal.
- The pool, fully elevated, can be transformed into a dryland space for functions, events and or other activities.

## Additional suggestions

### State school ownership of aquatic facility

- Aquatic facility to be jointly-owned by state schools in the area
- Annual expenses shared amongst schools
- Provides an accessible and free facility for state school students to conduct swimming and water polo as part of their physical education
- Provides an accessible and free facility for state schools to train students to compete in inter-school competitions
- Pool space can be hired by organisations such as Water Polo Victoria for additional revenue stream

# FIELD OF PLAY FOR OLYMPIC GAMES AND WORLD CHAMPIONSHIPS WATER POLO ANNEX 5



# POOL CONFIGURATION - WATER POLO

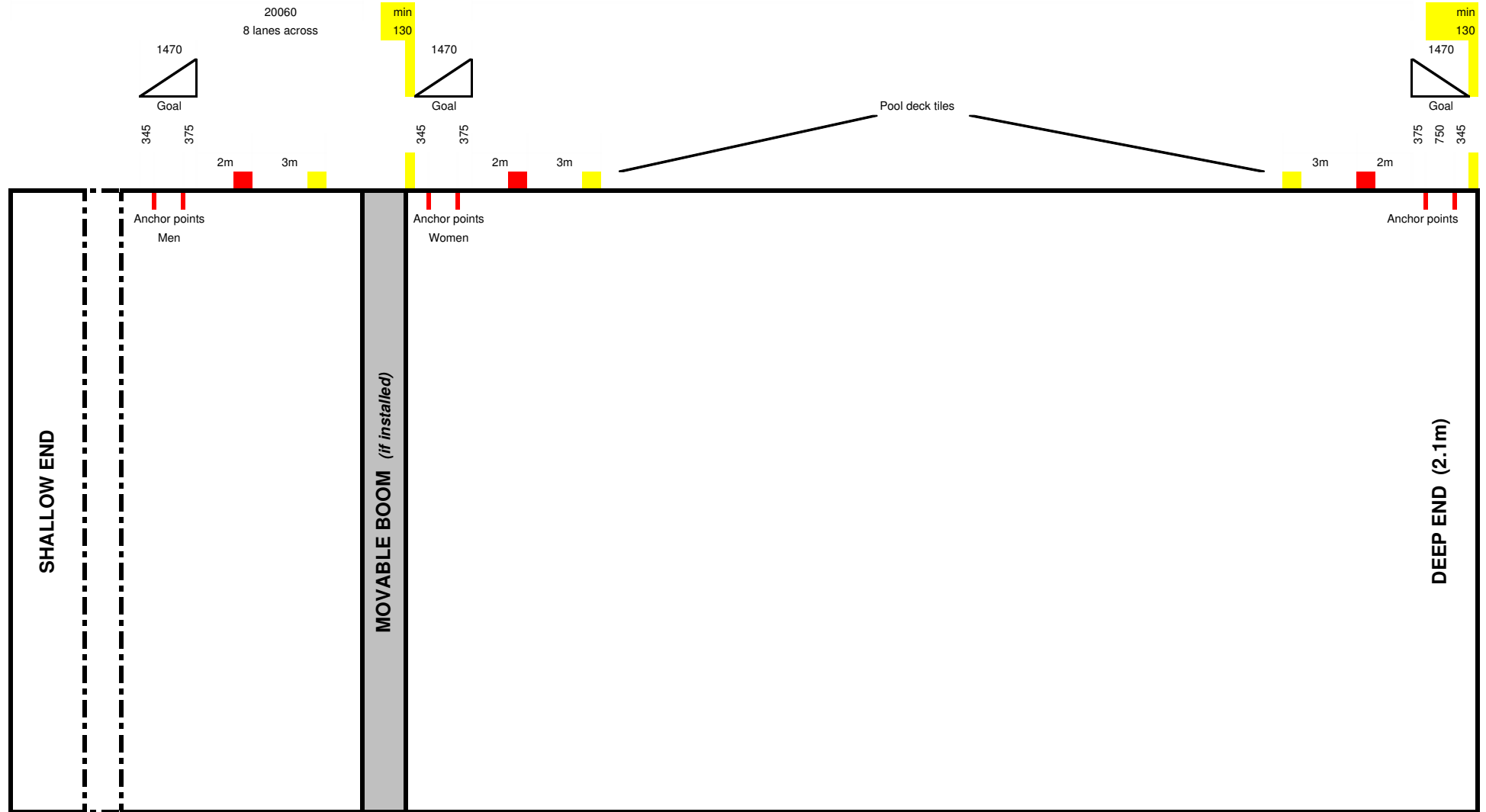
POOL LENGTH (50000)

SWIM SPACE  
15060  
6 lanes across

MENS WATER POLO (30000)

WOMENS WATER POLO (25000)

SWIM SPACE  
20060  
8 lanes across



## POOL CONFIGURATION - WATER POLO

### Pool Configuration Calculations

Pool length	50000	Goal	25m WP
	<b>30m WP</b>		
Clearance	130	130 from wall (min 30)	130
Goal *	1470	375	1470
Mens	30000	750	25000
Goal	1470	345	1470
Clearance	130	to boom?	130
	<hr/> 33200	1600	<hr/> 28200
Boom?	2000		
Swim space	14800		

#### # lanes across pool

1	2500	
2	2500	
3	2500	
4	2500	
5	2500	
6	2500	15000 for Mens field of play
7	2500	
8	2500	20000 for Women

### Measuring from Deep end wall

	from	length	to
back anchor *	130	345	475 minimum = 30
front anchor	475	750	1225
to goal post	1225	375	1600
to RED tile	1600	2000	3600 from goal post
to YELLOW tile	3600	3000	6600
<b>Field of play - Women</b>	<b>1600</b>	<b>25000</b>	26600 from goal post
to YELLOW tile	21600	3000	24600
to RED tile	24600	2000	26600
front anchor	26600	375	26975 from field of play end
back anchor	26975	750	27725
to back of goal	27725	345	28070
clearance	28070	130	28200 to boom?
<b>Field of play - Men</b>	<b>1600</b>	<b>30000</b>	31600
to YELLOW tile	26600	3000	29600
to RED tile	29600	2000	31600
front anchor	31600	375	31975
back anchor	31975	750	32725
to back of goal	32725	345	33070
clearance	33070	130	33200

\* based on AntiWave Floating Goal specifications





## Equipment Guidelines

### Water Polo Goals

There are various models and sizes of goals used for water polo in Victoria

**from S.R. Smith Australia** (previously AntiWave Australia)

07 3812 2283

<http://www.srsmith.com/au/products/water-polo-equipment/>

- Pro Series Floating Goal
  - mandatory for senior National and International competition
- Club Series Folding Goal
  - suitable for senior and junior (14/under and older) competition
  - ideal if storage areas limited
- Flippa Series Folding Goal
  - for junior (12/under) competition and Flippa Ball
- refer attachments for dimensions of each model

**from IDM Sports and SR Smith**

08 8371 5794

[http://shop.idmsports.com.au/product\\_info.php?cPath=196&products\\_id=1002](http://shop.idmsports.com.au/product_info.php?cPath=196&products_id=1002)

- Inflatable Goal ("*AirGoal*" large 300 x 90)
  - suitable for (12/under) competition and Flippa Ball
- Inflatable Goal ("*AirGoal*" small 200 x 75)
  - suitable for younger Flippa Ball age groups
- these goals suitable for the Learn-to-Swim pool
- refer attached photo

### Field of Play Ropes

**from S.R. Smith Australia** (previously AntiWave Australia)

#### **Goal Ropes**

- to anchor goals to pool wall - 2x front and 2x back per goal
- must have **red penalty box** one side – both ends
- refer photo <http://www.srsmith.com/au/products/water-polo-equipment/field-lines/>
- refer also WP Anchor Points attached

#### **Side Ropes** (*not essential*)

- colour-coded to meet FINA regulations
- 2 per field of play



## **Netting**

### **From Kings Sports Nets**

9532 0322

[www.kingssports.com.au](http://www.kingssports.com.au)

- for separation of water polo “field of play” from public pool space
- mounted on movable pontoon and deep-end bulkhead
- attach to stainless steel poles approx 2.5m-3.0m high - fit into starting block holes
- black nylon mesh approx 2.5m-3.0m high

## **Electronic Scoreboard-Timing**

Water Polo Victoria uses **Blue Vane Industries** as its preferred supplier

### **from Blue Vane Industries**

9870 9331

[http://www.bluevane.com.au/water\\_polo.htm](http://www.bluevane.com.au/water_polo.htm)

There are two basic models used for water polo in Victoria

- wall mounted
  - indicative sizes are 1200 x 900 x 100 or 1525 x 900 x 100
  - shotclock is mandatory – either integrated on scoreboard or 2x freestanding wireless “clocks” on pool deck
- mobile
  - WPV currently uses 2 “solid wheel” mobile units with mounted storage cabinet at MSAC
  - Same functionality but movable

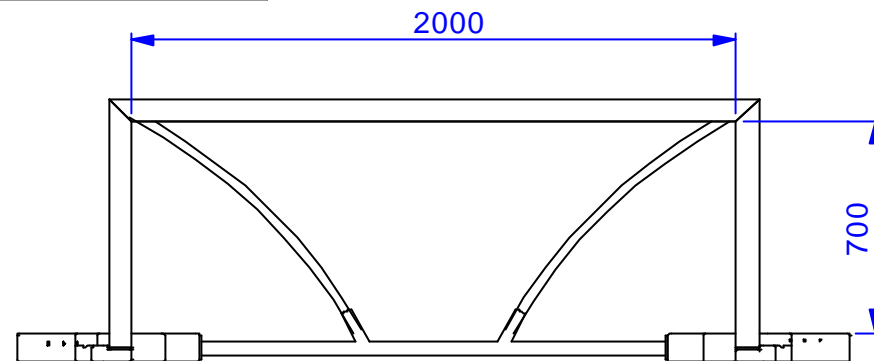
## **Storage**

- all the above equipment would need to be kept in “off” pool deck storage areas
- note Folding goals can be hung on a solid wall
- each inflatable goal folds away into a “zip-up” carry bag

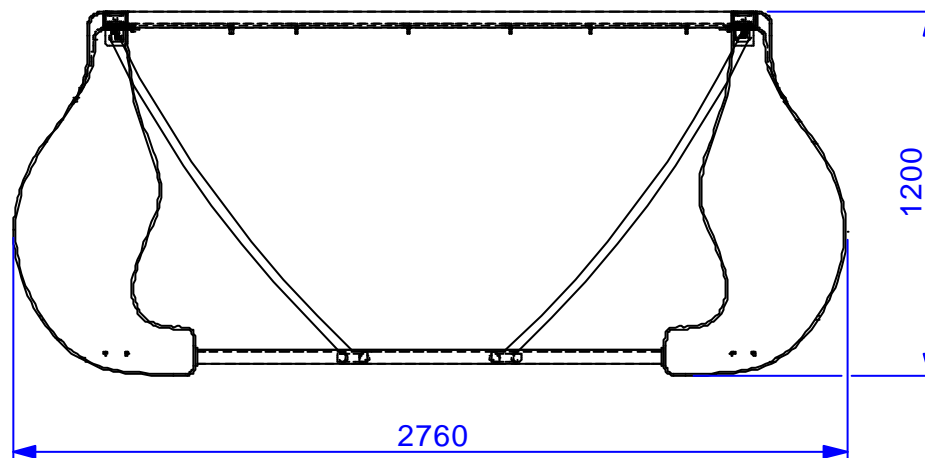
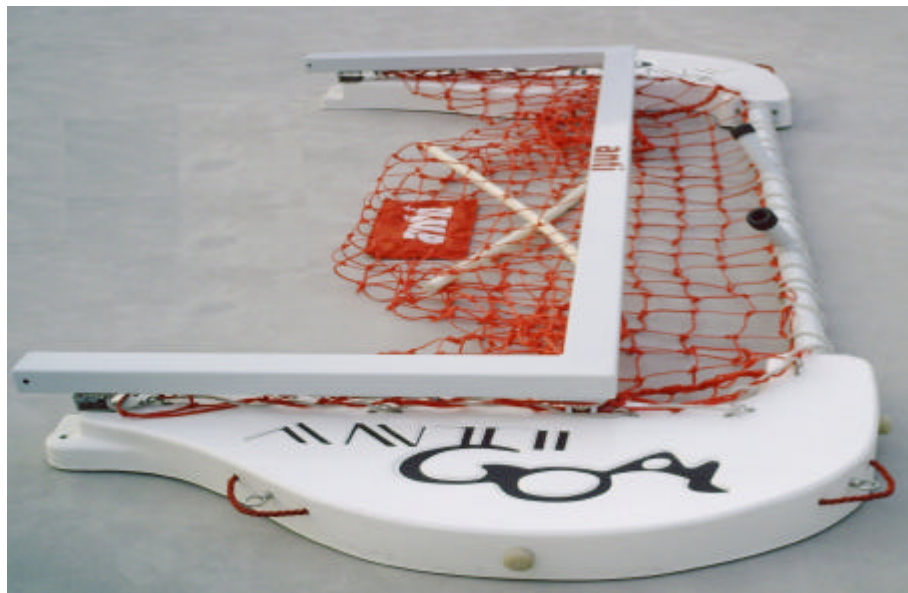
**Note: If funding for equipment purchases is limited, WPV recommends a set of goals and anchor ropes as the highest priority, then netting and an electronic scoreboard with WP specific side ropes the lowest priority**

# Anti Wave Junior Folding Floating Goal for Flippa Ball

Position a: Play



Position b: Folded

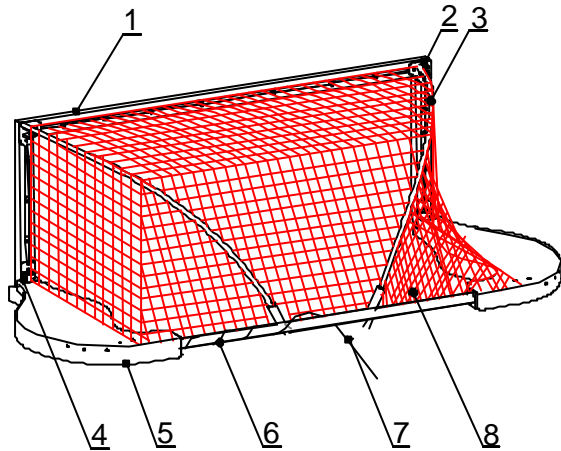


**PROPRIETARY AND CONFIDENTIAL**  
 The information contained in this drawing is the sole property of ANTI WAVE, any reproduction in part or as a whole without the written permission of ANTI WAVE is prohibited.

Project Name:		Product Name:		Project No.	AWE00450	Product No.	01
Junior Folding Floating Goal		Junior Folding Floating Goal		Drawn Date	2007-04-26	Verify Date	
Drawn	Philip	Scale	No	Patents	2001285610;7100219;4048677;01818714.5 & 2003/2920 e.g.		

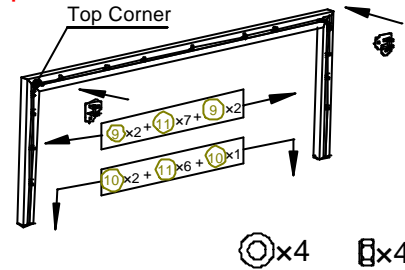
# Junior Folding Floating Goal for Flippa Ball

## General Sketch



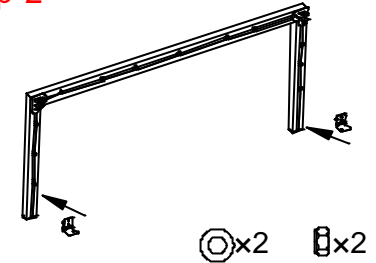
No.	Name	Qty
①	Front frame	1
②	Aluminium Heart Casting	2
③	Plastic Tube	2
④	SS Hinge	2
⑤	Small GRP Float	2
⑥	Aluminium Back Tube	1
⑦	White Rope	1
⑧	Red Net	1
⑨	SS Hinge	2
⑩	Big M8x30 Slide Block	4
⑪	Small M8x30 Slide Block	4
⑫	Eyelets	13
⑬	M8x30 Round Head Bolt	4
⑭	M8x55 Countersunk Bolt	2
⑮	M8 Lock Nut and Washer	20
⑯	M8 Eye Bolt	4

## Step 1



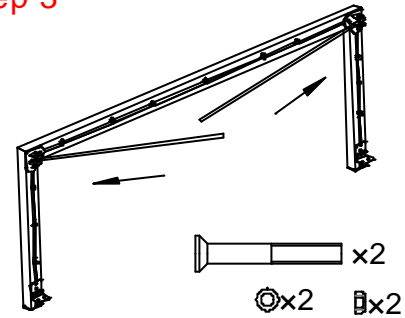
Open the Parts Bag, take out Slide Blocks and Eyelets, Slide them as above from top corner of Front Frame, then use Big Slide Block, Washer and Lock Nut to fix the Heart casting to Front Frame.

## Step 2



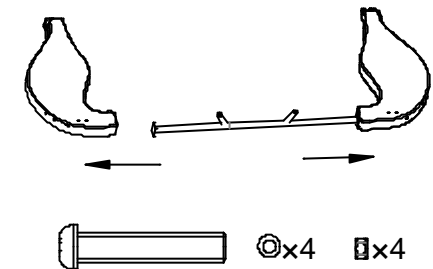
Insert the SS Sticks of SS Hinge to the holes of the Front Frame, use small Slide Blocks, M8 Lock Nuts and Washers to fix the SS Hinge to the Front Frame. Note that the bolts are not tight.

## Step 3



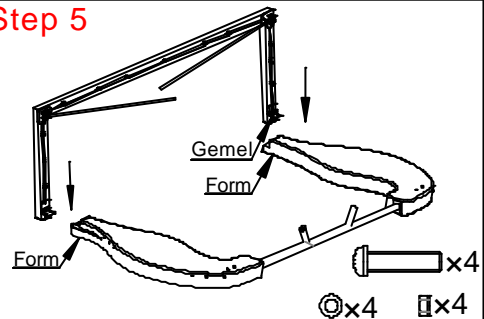
Insert the Plastic Tube into the Alu plate of the Heart Casting, use M8x55 Countersunk Bolts, Washers and Lock Nuts to fix the Plastic Tube to the Front Frame.

## Step 4



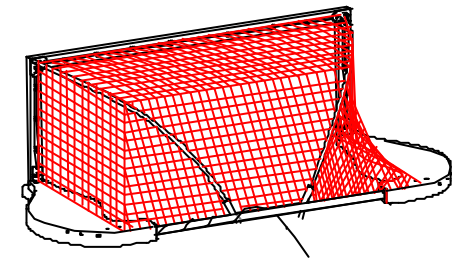
Use the M8x40 Round Head Bolts, Washers and Lock Nuts to fix the Small GRP Floats to the Back Tube.

## Step 5



Take off the Foams in the front of GRP Floats, use M8x30 Round Head Bolts, Washers and Lock Nuts to fix the Floats to the Front Frame. Don't forget to fix the Foams again.

## Step 6



Use White Rope to fix the Red Net to the Alu Eyelets and SS Saddles of GRP Floats, lace it around the Back Tube.



**PROPRIETARY AND CONFIDENTIAL**  
The information contained in this drawing is the sole property of ANTI WAVE, any reproduction in part or as a whole without the written permission of ANTI WAVE is prohibited.

Project Name: Junior Folding Floating Goal

Product Name: Junior Folding Floating Goal

Project No. AWE00450

Product No. 02

Drawn Date 2007-04-26

Verify Date

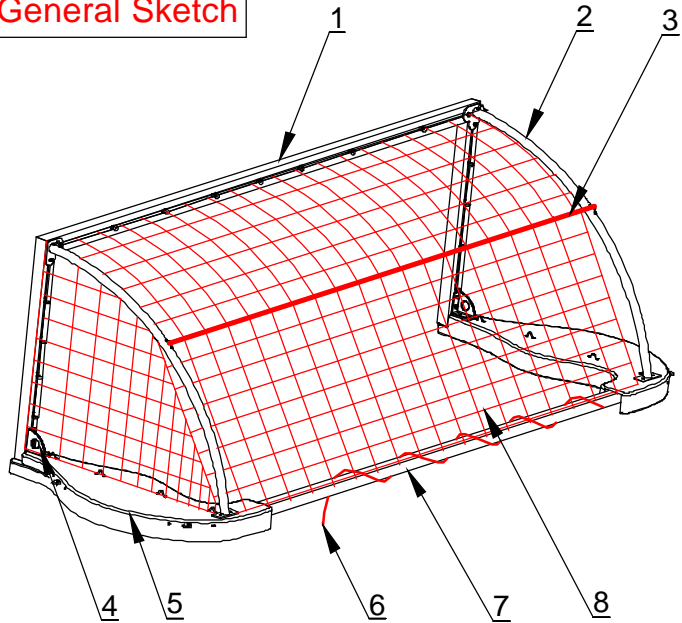
©ANTI WAVE 2007

Drawn Philip Scale No

Patents 2001285610; 7100219; 4048677; 01818714.5 & 2003/2920 e.g.

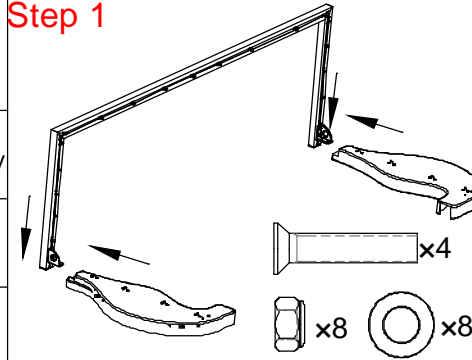
# Club Goal Assembly Instructions

## General Sketch



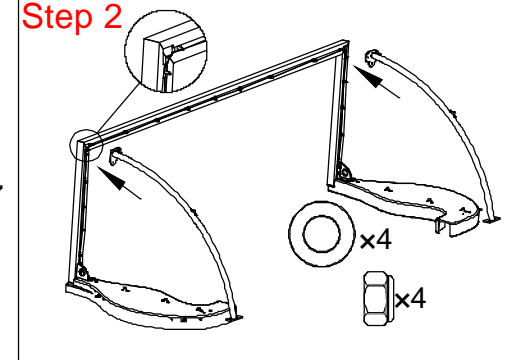
No	Name	Qty
①	Front Frame	1
②	Side Bow	2
③	Cable & Clamp & Shackles	1
④	FRP Corner	2
⑤	Small Float	2
⑥	White Rope	1
⑦	Square Tube	1
⑧	White Net	1
⑨	Slide Block	8
⑩	Eyelet	15
⑪	M8X40 Countersunk Bolt	4
⑫	M8X80 Countersunk Bolt	4
⑬	M8 Lock Nut and Washer	16

## Step 1



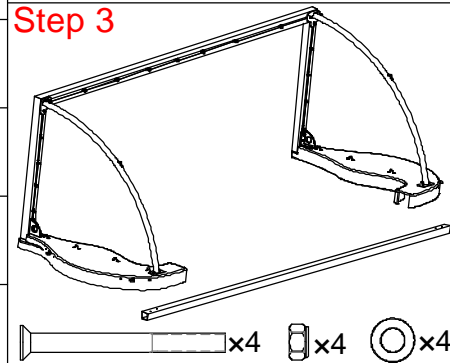
Use FRP Corner, Slide Blocks, M8X40 Countersunk Bolts, Washers and Lock Nuts to connect Front Frame to the Small Floats.

## Step 2



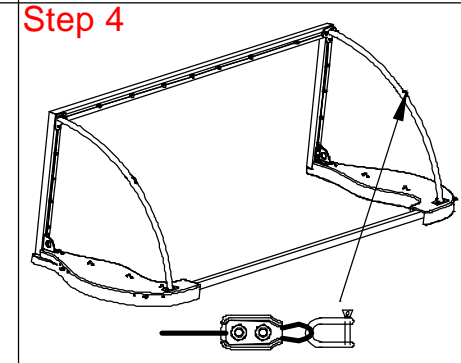
Slide the Slide Blocks and Eyelets, use Slide Blocks, Washers and Lock Nuts to connect the Side Bows to the Front Frame.

## Step 3



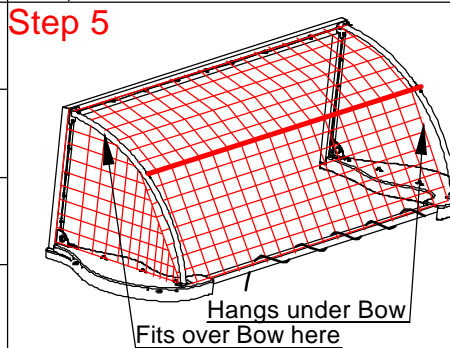
Line up the holes of Small Floats, Side Bows and Square Tube, use M8X80 Countersunk Bolts, Washers & Lock Nuts to connect them.

## Step 4



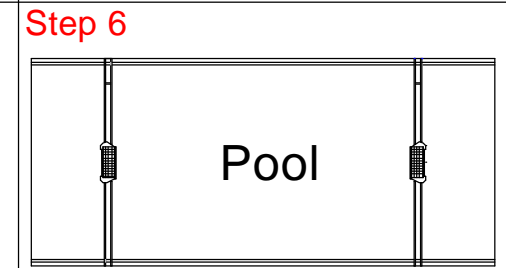
Connect the Shackles and Saddles to install the SUS316 Cable to both the Side Bows.

## Step 5



Use White Rope to go through the Eyelets and Saddles, lace the Square Tube to fix the White Net to Club Goal as above.

## Step 6



Follow Step 1 to Step 5 to assemble another Club Goal, then install the two Club Goals in the Polo Pool.



**anti**

Project Name: Club Goal

Product Name: Installation

Project No. AWE00430 Product No. 01

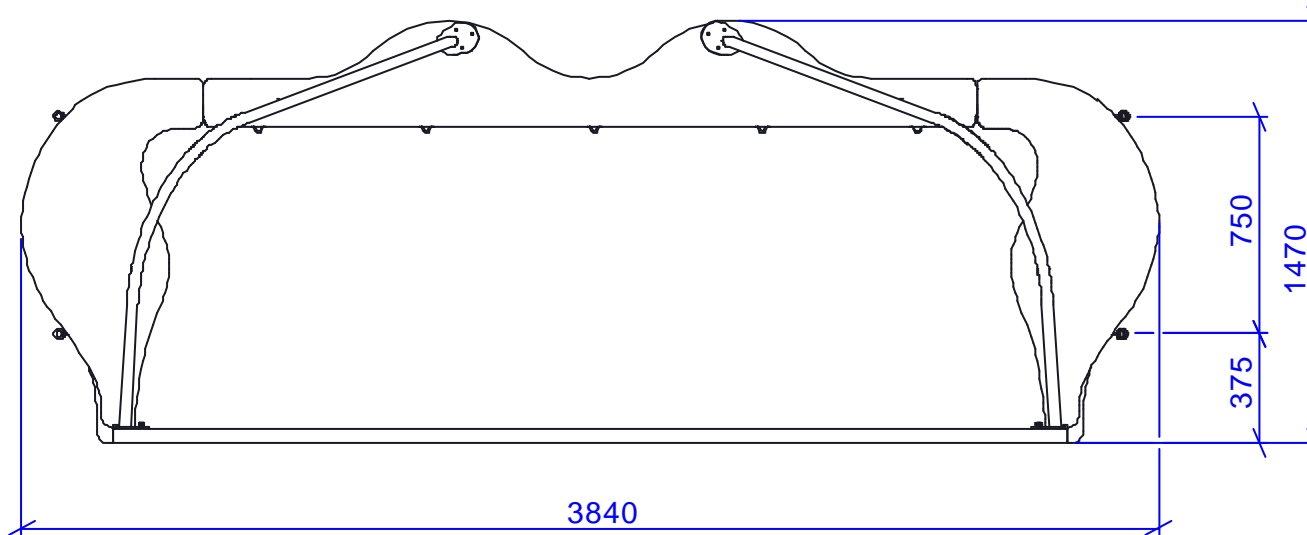
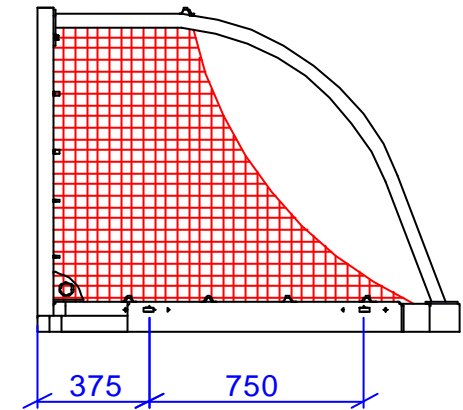
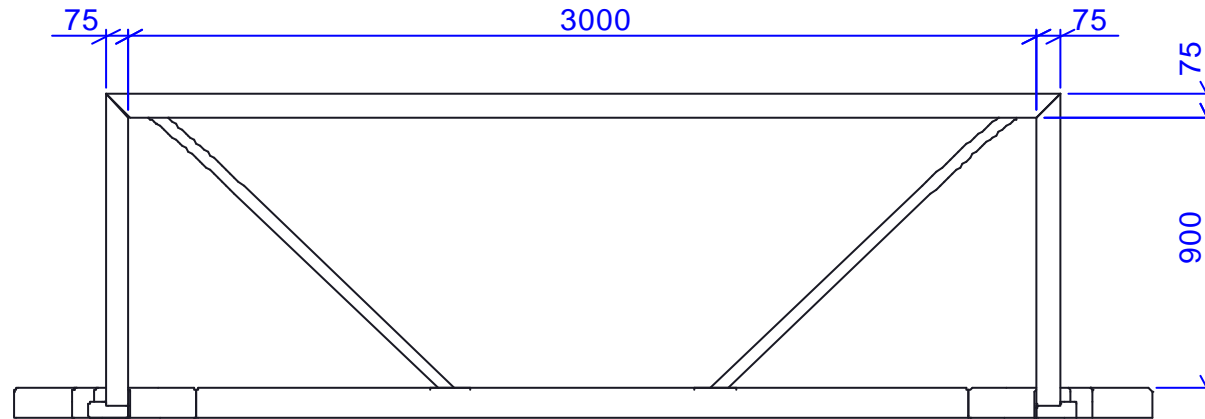
Date 2005-12-13 Revise 01

Drawn Philip Chen Verify Anti Scale No

Material No Page 1 total 1

# Anti Floating Goal

Open Drawing



Note:

1. The Anti Wave Fina Floating Goal was selected for the Sydney 2000 Olympics. It is fabricated from our special aluminium extrusions and composite plastics for durability and reliability.
2. This goal sits well in the water with minimum lift and maximum stability. Patented net configuration reduces ball rebound, it is very strong and durable.
3. The Anti wave Fina Floating Goal is the Goal for national and international competition, most of Olympic game will use the Anti Wave Goals.

**anti**<sup>TM</sup>

PROPRIETARY AND CONFIDENTIAL  
The information contained in this drawing is the sole property of ANTI WAVE, any reproduction in part or as a whole without the written permission of ANTI WAVE is prohibited.

©ANTI WAVE 2007

Project Name:

Anti Floating Goal

Product Name:

Anti Floating Goal

Project No. AWE00420

Product No. 01

Drawn Date 2007-04-26

Verify Date

Drawn

Philip

Scale

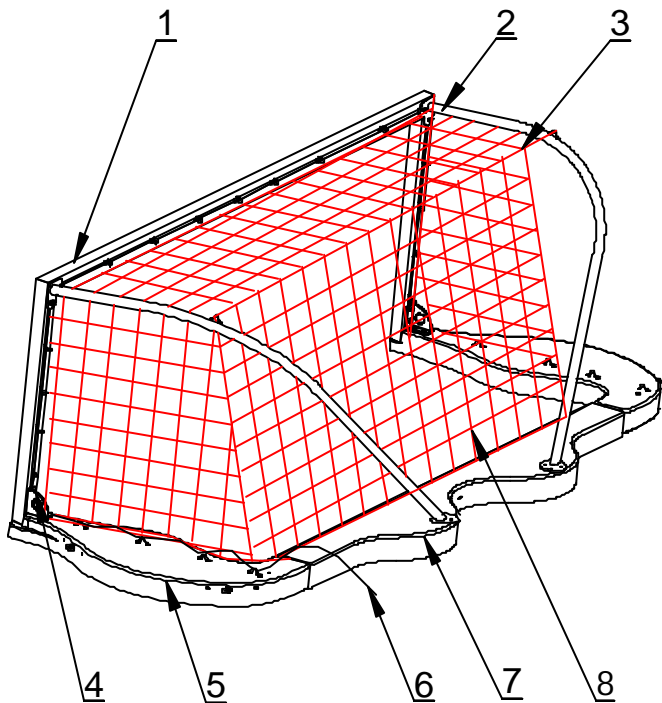
No

Patents

2001285610;7100219;4048677;01818714.5 & 2003/2920 e.g.

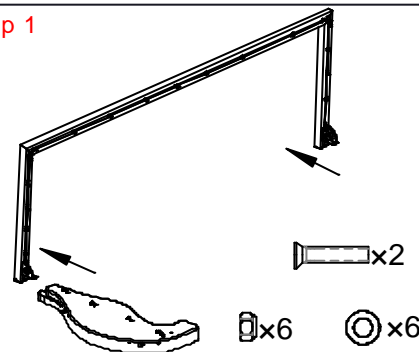
# Anti Goal Assembly Instructions

## General Sketch



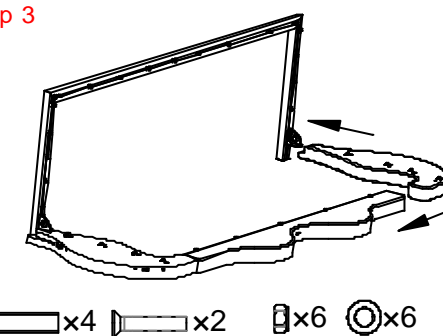
No	Name	Qty
①	Front Frame	1
②	Side Bow	2
③	SS316 Cable	1
④	FRP Corner	2
⑤	Small Float	2
⑥	White Rope	1
⑦	Big Float	1
⑧	Red Net	1
⑨	Slide Block	8
⑩	Eyelet	15
⑪	M8X30 Hex Bolt	8
⑫	M8X40 Countersunk Bolt	4
⑬	M8X25 Countersunk Bolt	6
⑭	M8 Lock Nut	26
⑮	M8 Washer	26

## Step 1



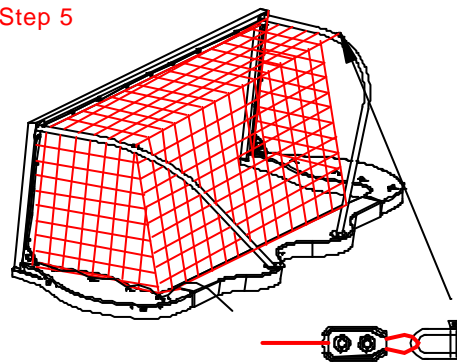
Use FRP Corner, Slide Blocks, M8X40 Countersunk Bolts, Washers and Lock Nuts to connect one Small Float to the Front Frame.

## Step 3



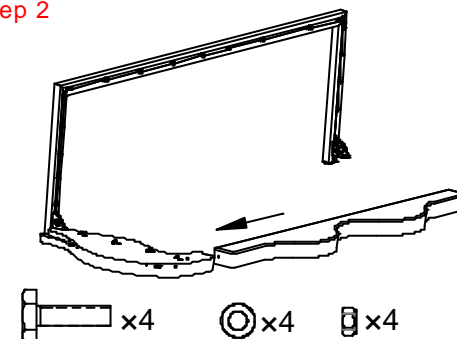
Use M8X40 Countersunk Bolts, Washers and Lock Nuts to fix one side of Small Floats to the Front Frame, then use M8x30 Hex Bolts, Washers and Lock Nuts to fix another side of Small Floats to the Big Float.

## Step 5



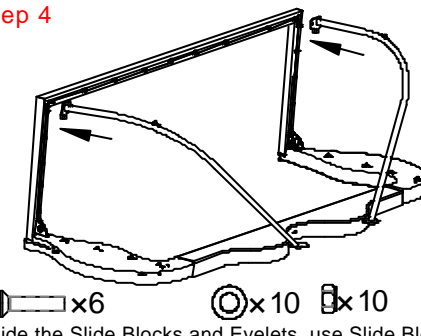
Connect the SS316 Cable to the Saddle of the both Side Bows with Shackles, then tie the Red Net with White Rope through the Eyelets and Saddles.

## Step 2



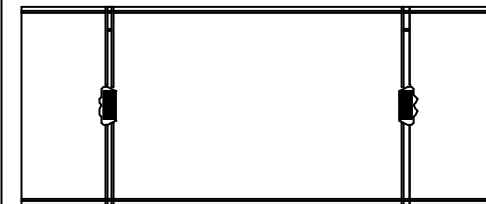
Line up the holes of Small Floats Big Float, use M8X30 Hex Bolts, Lock Nuts and Washers to connect the Big Float to the Small Float.

## Step 4



Slide the Slide Blocks and Eyelets, use Slide Blocks, Washers and Lock Nuts to connect one end of Side Bows to Front Frame. use M8X25 Countersunk Bolts, Washers and Lock Nuts to connect the another end to Big Float.

## Step 6



Follow from Step 1 to Step 5 to assemble another Anti Floating Goal, then install the two Anti Goals in the Polo Pool.



PROPRIETARY AND CONFIDENTIAL  
The information contained in this drawing is the sole property of ANTI WAVE, any reproduction in part or as a whole without the written permission of ANTI WAVE is prohibited.

Project Name: Anti Floating Goal  
Drawn: Philip

Product Name: Anti Floating Goal  
Scale: No Patents

Project No. AWE00420  
Drawn Date: 2007-04-26

Product No. 02  
Verify Date:

2001285610;7100219;4048677;01818714.5 & 2003/2920 e.g.