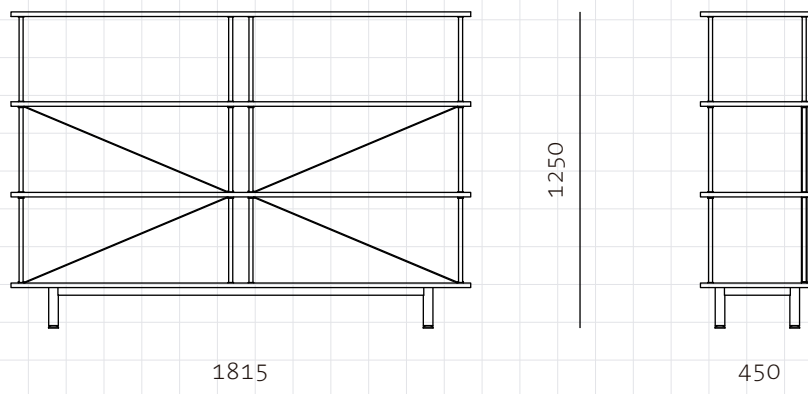


Seiton 4



CODE

SE-SF140

DIMENSIONS

W1815 x D450 x H1250mm

NET WEIGHT

kg

ENVIRONMENT

Indoor

MATERIALS

Steel black powder coat matt, veneer laminate shelves

\*Please refer to website or contact your local representative for complete material swatches.

SHIPPING

**Package**

KD

**Package Qty**

1 pcs/box

**Packaging**

**Measurement (mm)**

**Volume (cbm)**

**Gross Weight (kg)**

**FCL**

W1915 x D550 x H210

0.22

**LCL/AIR**

W1955 x D590 x H300

0.35