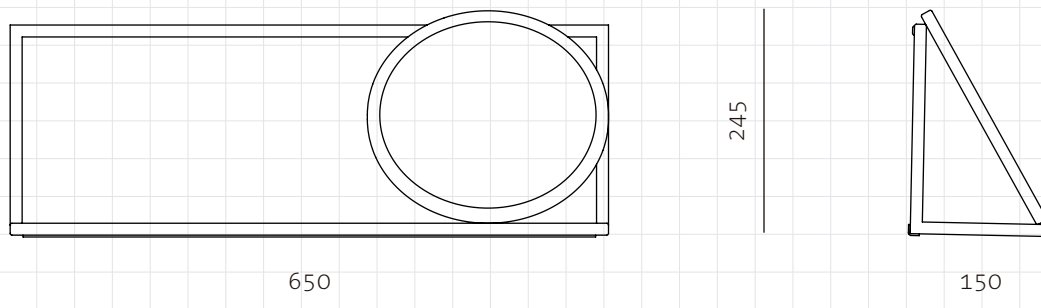


Frame Wall Mirror Small With Board



CODE

FR-M121-S

DIMENSIONS

W650 x D150 x H245mm

NET WEIGHT

3.2 kg

ENVIRONMENT

Indoor

MATERIALS

Powder coated steel frame, mirrored glass, veneer laminate board

*Please refer to website or contact your local representative for complete material swatches.

SHIPPING

Package Assembled

Package Qty 1 pcs/box

Packaging	Measurement (mm)	Volume (cbm)	Gross Weight (kg)
------------------	-------------------------	---------------------	--------------------------

FCL/LCL/AIR	W795 x 295 x H465	0.11	11.39
--------------------	-------------------	------	-------