



Prisma

Prisma is designed to form an array of combinations suitable for even the most diverse environments. It delivers a striking, all-encompassing solution for today's modern office or educational environment. A compact size makes the system genuinely versatile and adaptable for use in both small and open spaces.

Prisma



Product Details

Design

Alexander Lotersztain

Category

Seating

Environment

Indoor

Materials

Upholstery: Polyurethane foam with timber substrate upholstered in customers own material

Side table: American oak veneer

Workstation table top: American oak veneer

Workstation table leg: Powder coated steel

Optional Add-ons

Floor fixing bracket

Velcro connecting pads

Power & data integration

Upholstery



Fabric



Leather

American Oak Veneer



Natural

Powder Coat



White

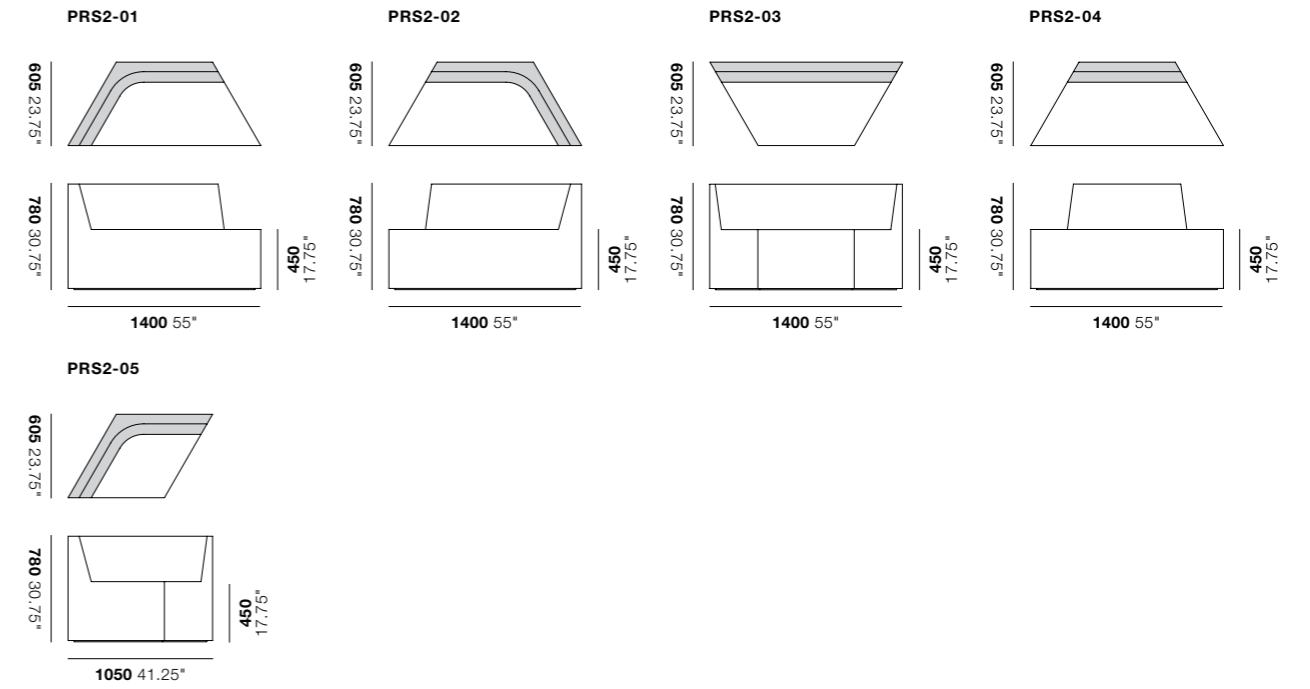


Black

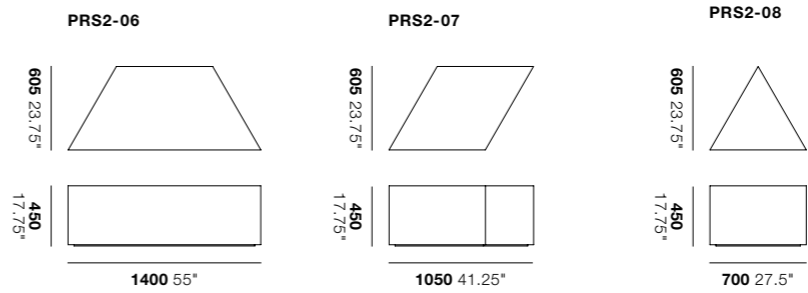


Custom

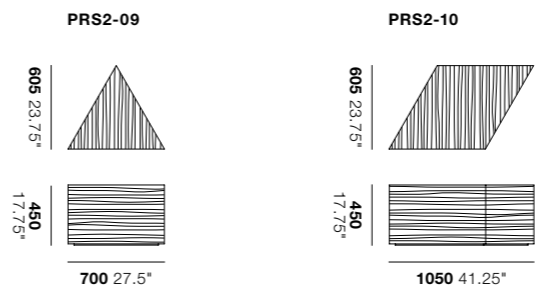
Seat

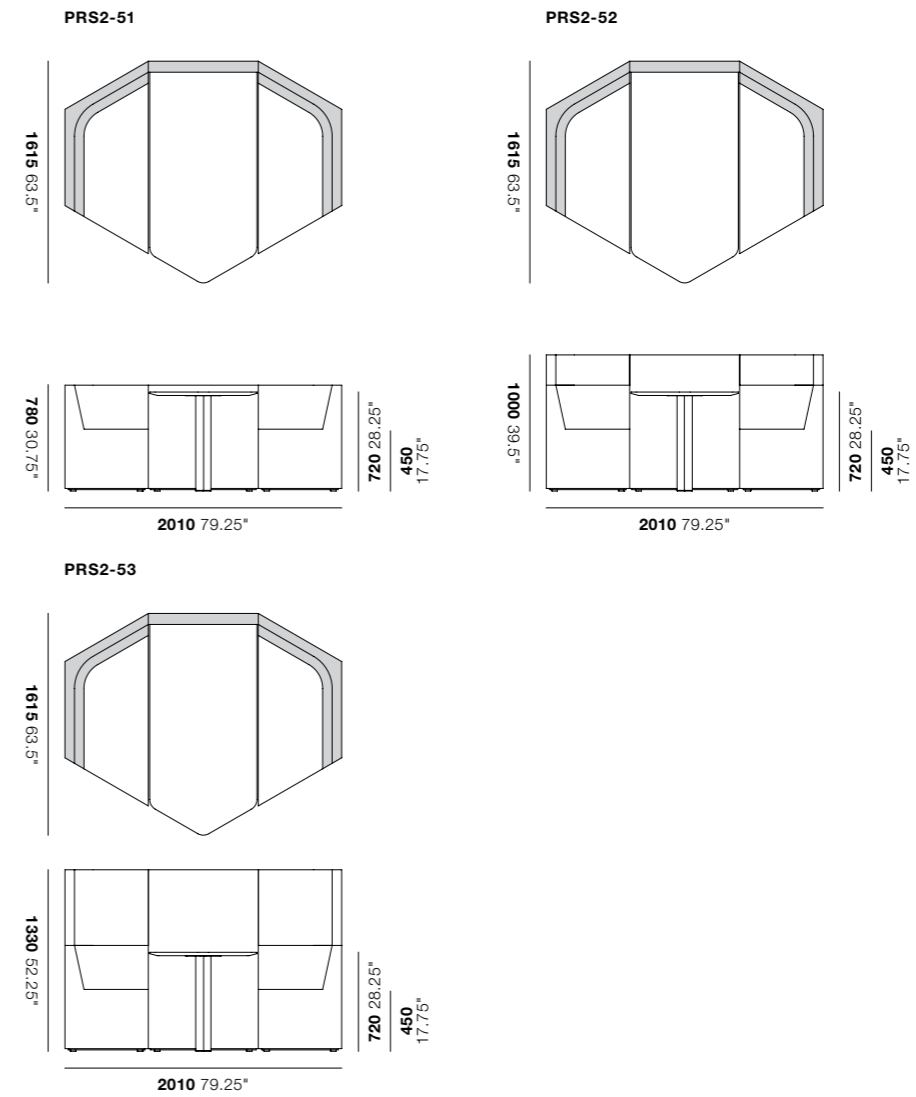
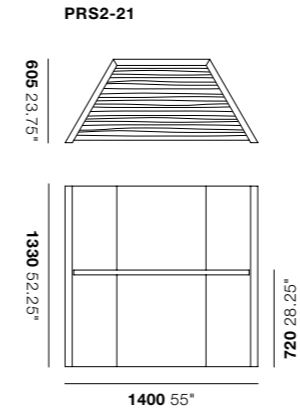
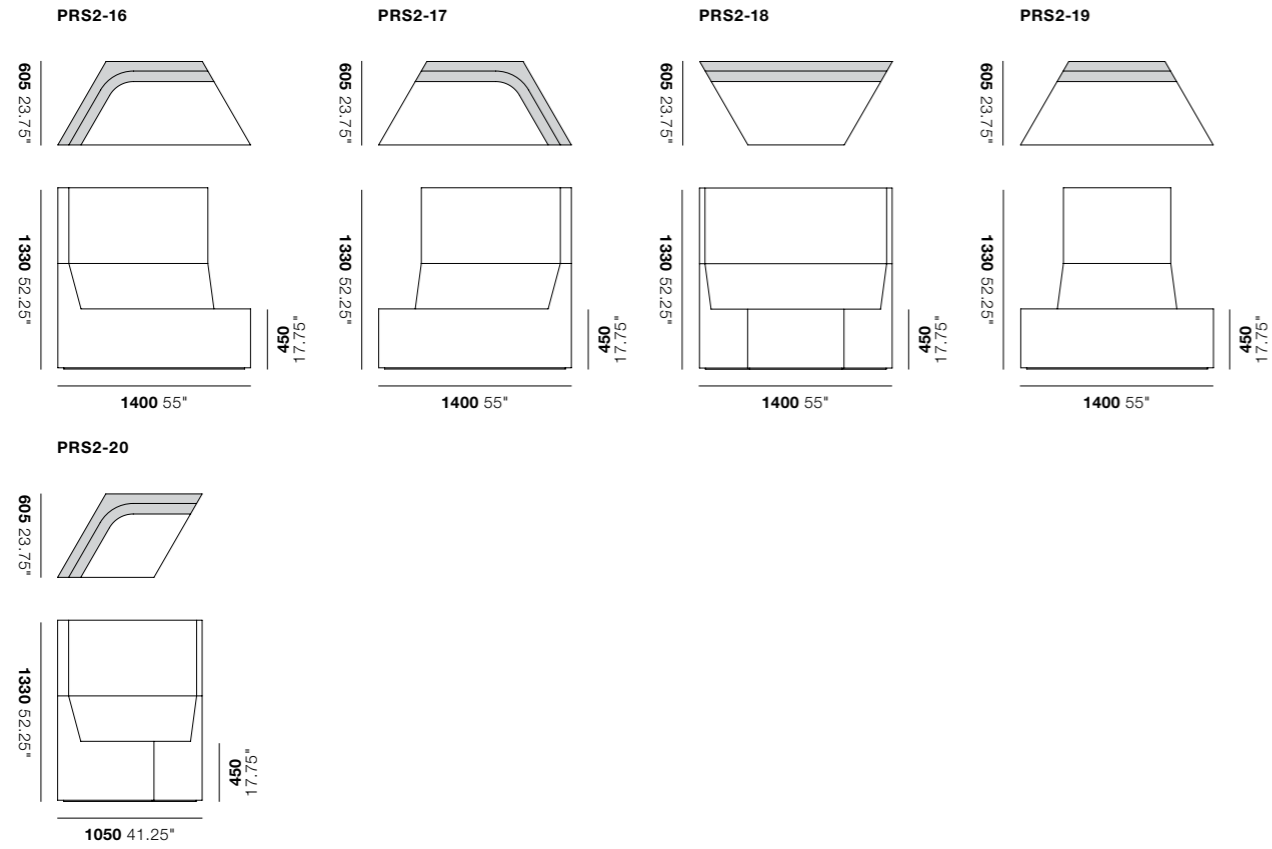
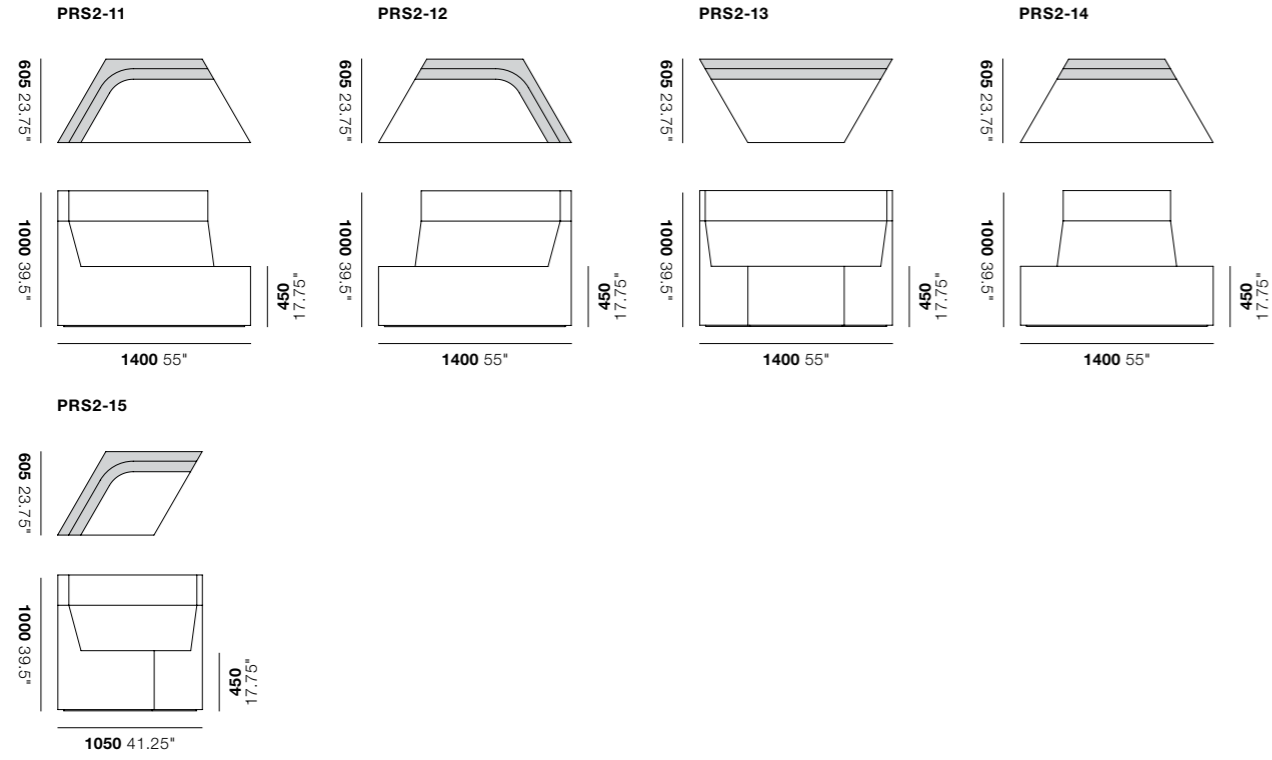


Ottoman

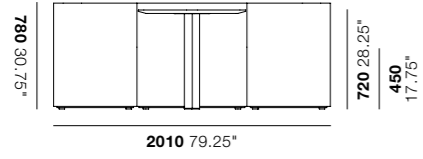
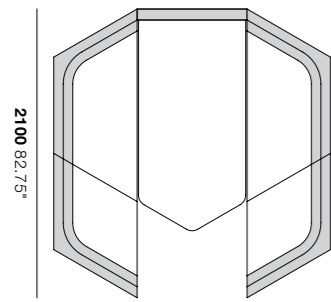


Side Table

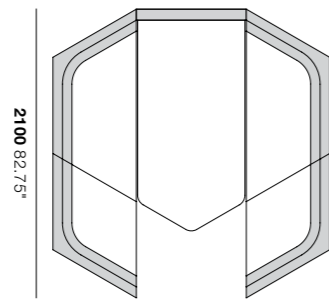




PRS2-54



PRS2-55



PRS2-56

