

LASVIT Technical Sheet

MOULDS TABLE LAMP COLLECTION

DESIGNER: Jan Plechac & Henry Wielgus

YEAR OF DESIGN: 2015

Moulds is a collection of suspended lights, showcasing Czech crystal at its most resilient and lively form. The series captures a specific moment when molten glass resists its expected shape and freely escapes from the mould as a random, amorphous bubble. The energizing effect of this series arises from the contrast of used materials, using the traditional craft techniques of blowing crystal glass into a beech form. The Moulds collection brings powerful emotions into an interior. The composition of varied 'overblown' shapes creates a particularly striking visual effect. Integrated LED light sources were set directly within the charred form, creating an impression that the heat and energy of the glassmaker's kiln remained inside, in historic reference to the art of Czech glassmakers.



PACKAGING

Moulds Table Lamp M

Size: 260 × 260 × 446 mm

Total weight: 8 kg

Pallet 1200 × 800 × 1200 mm: 24 pcs

Moulds Table Lamp L

Size: 365 × 365 × 530 mm

Total weight: 10 kg

Pallet 1200 × 800 × 1200 mm: 24 pcs

LASVIT Technical Sheet

MOULDS TABLE LAMP COLLECTION

TECHNICAL DETAILS MOULDS T. L. M L

Type	CE	UL
Light source	1 × LED E27 Squirrel cage 3W, 2200K, 240 Lumens CRI 95 Dimmable	1 × LED E26 Squirrel cage 3W, 2200K, 240 Lumens CRI 95 Dimmable
Input voltage	240V/ 50Hz	120V
Rated power	3W	3W
Cord color	black textile cable with dimmer	black textile cable with switch
Cord length	2000mm/78¾"	
Based	black matt	
Prot. rating	IP 20	
Safety class	CLASS II	

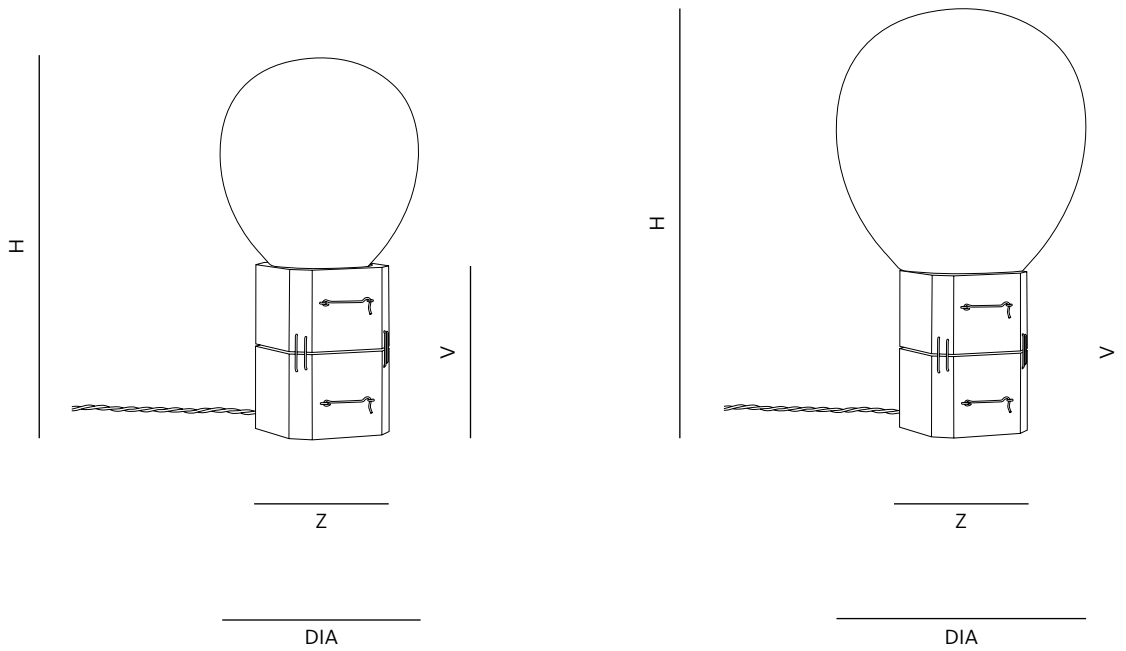
LASVIT Technical Sheet

MOULDS TABLE LAMP COLLECTION

TECHNICAL DRAWING

Moulds Table Lamp M

Moulds Table Lamp L



Name	Dia (mm/inch)	H / +L (mm/inch)	Z (mm/inch)	V (mm/inch)
Moulds Table Lamp M	230/9 ¹ / ₁₆ "	420/16 ⁹ / ₁₆ "	125/4 ¹⁵ / ₁₆ "	195/7 ¹ / ₁₆ "
Moulds Table Lamp L	286/11 ¹ / ₄ "	520/20 ¹ / ₂ "	125/4 ¹⁵ / ₁₆ "	195/7 ¹ / ₁₆ "

LASVIT Technical Sheet

Name	Glass color	Item ID – CE	Item ID – UL	Weight (approx.)
Moulds table lamp M	clear	CL015TA-3CE00-0111S1	CL015TA-3UL00-0111S1	5kg/11lb
Moulds table lamp M	light amber	CL015TA-3CE00-0411S1	CL015TA-3UL00-0411S1	5kg/11lb
Moulds table lamp M	blue smoke	CL015TA-3CE00-0611S1	CL015TA-3UL00-0611S1	5kg/11lb
Moulds table lamp L	clear	CL015TB-3CE00-0111S1	CL015TB-3UL00-0111S1	7kg/15,4lb
Moulds table lamp L	light amber	CL015TB-3CE00-0411S1	CL015TB-3UL00-0411S1	7kg/15,4lb
Moulds table lamp L	blue smoke	CL015TB-3CE00-0611S1	CL015TB-3UL00-0611S1	7kg/15,4lb

EACH LASVIT COLLECTION IS UNIQUE BECAUSE IT IS COMPLETELY HANDCRAFTED. TINY BUBBLES AND OTHER IRREGULARITIES MAY OCCUR DUE TO THE NATURE OF THE HIGH QUALITY GLASS-BLOWING TECHNIQUE