

FICHA TÉCNICA

Servicebar / Servicetable

Colección Happy Hour
ALFREDO HÄBERLI
2001



COMPONENTES, MATERIALES Y ACABADOS:

ESTRUCTURA formada por dos tubos de Ø16mm de hierro cromado.

BANDEJAS en plástico termoconformado ABS+PMMA, pintadas con poliuretano micro texturizado mate color blanco RAL 9003 o negro RAL 9005;

- Bandeja superior lisa, 806 x 344 x H.30mm.
- Bandeja superior con hueco para botellas, 806 x 344 x H.30mm, de 12x26cm cada hueco.
- Bandeja inferior lisa, 685 x 344 x H.30mm.

BANDEJA en acero inoxidable de 290 x 390mm, (medida útil); en acabado pulido y satinado por la parte inferior.

RUEDAS TRASERAS en hierro cromado con junta de caucho, y delanteras en fundición de zamack con rodadura de plástico.

TORNILLERÍA en acero inoxidable.

-Servicebar-

Incluye dos bandejas superiores, una lisa y otra con huecos para las botellas.

Bandeja inferior, opcional.

Bandeja superior en acero inox de 290 x 390mm, opcional.

-Servicetable-

Incluye dos bandejas superiores lisas.

Bandeja inferior, opcional.

DIMENSIONES Y PESOS:

Servicebar completo: 905 x 425 x H.728mm / 21kg

Servicetable completo: 905 x 425 x H.728mm / 21kg

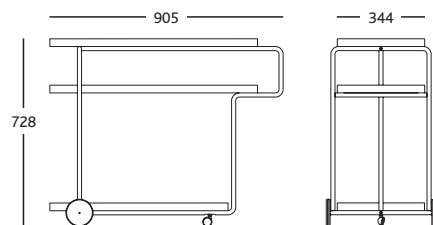
Bandejas:

- Bandeja Superior: 806 x 344 x H.30mm / 2,8kg
- Bandeja Inferior: 685 x 344 x H.30mm / 2,2kg
- Bandeja Inox: 290 x 390mm / 1,4kg

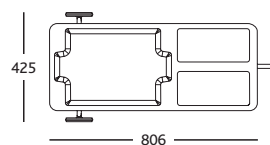
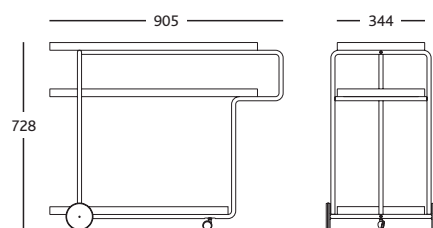
EMBALAJE:

Los carritos se entregarán desmontados dentro de una caja.

SERVICETABLE



SERVICEBAR



MEDIDAS EN MM



BD Barcelona Design

Ramon Turró, 126 / 08005 Barcelona
Tel +34 93 458 69 09 / Fax +34 93 207 36 97
bd@bdbarcelona.com / www.bdbarcelona.com

Oficina Técnica

Carretera Capellades / km 22,750
Narcís Monturiol, 7 / Pol. Ind Sesroviros
Sant Esteve de Sesroviros / 08635 Barcelona
Tel +34 93 771 30 51 / Fax +34 93 771 32 32

TECHNICAL SPECIFICATION

Servicebar / Servicetable

Happy Hour Collection
ALFREDO HÄBERLI
2001



COMPONENTS, MATERIALS and FINISHES:

Two-seat SOFA made of spin-moulded polyethylene. It is mass pigmented in different colours, according its use:

-ONLY FOR INDOORS USE: in low density polyethylene and flexible. Available in the following colours:

Pink (Pantone 226C),
Red bermellón (Pantone 200C),
Black (Pantone Process black),
Ice (traslucent white).

-FOR OUTDOORS USE: in medium density polyethylene and rigid.

Available in the following colours:

Pink (Pantone 226C),
Red bermellón (Pantone 200C).

POLYETHYLENE PEG for ballasting, (1u.)

POLYPROPYLENE TRI-SURE 3/4" (Ø25) PEG with rubber O-ring seal, (2u.), for emptying the sand.

DIMENSIONS and WEIGHTS:

Dalilips: 1700 x 1000 x H.730mm (Seat: H.370mm).

Dalilips in colours: 32kg

Traslucent Dalilips: 42kg

PACKAGING:

It is always packed using the appropriate protective measures within a box.

BALLASTING:

The sofa can be ballasted with washed sand (60kg.).

TESTS:

In compliance with the **UNE 11012:1989 "Sofas. Testing methods to determine structural resistance."**

In compliance with the **UNE-11021-2:1992 "Sofas, for domestic and public use, functional specifications and characteristics"**.

In compliance with the **UNE EN 1022:98 "Domestic seating furniture, determination of stability"** for level 5, for major public use of the product.

In compliance with the **EN ISO 5892: 1999**, the test certifies **product colour change resistance to the action of the light of a xenon lamp**.

In compliance with the **UNE-EN 1021-1:1994 "Assessment of the inflammability of Furniture. Source of ignition: A lit cigarette"**, the test certifies that the material presents no inflammability.

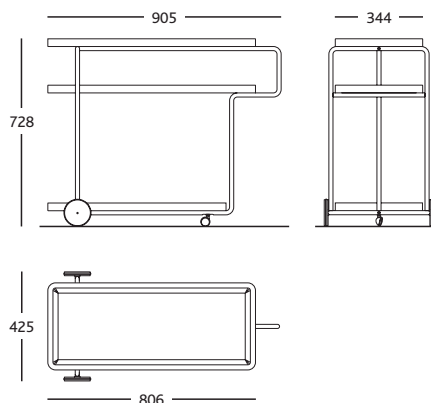
In compliance with the **UNE-EN 1021-2:1994 "Assessment of the inflammability of Furniture. Source of ignition: A lit match"**, the test certifies that the material presents no inflammability.

PAINTED "DALÍ" SIGNATURE (to order)

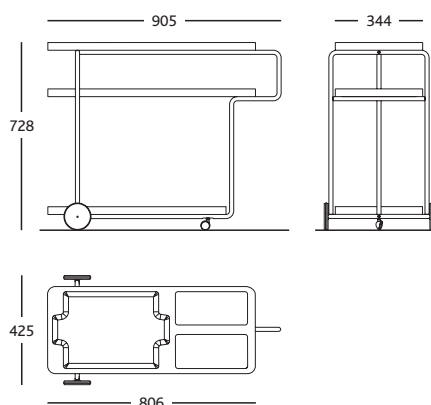
In compliance with the **UNE 11 019/6 "Adherence of the painting to the support"**.

In compliance with **UNE 48 025 "cold-heat CYCLES"**, the test certifies the correct adherence of the paint for the painted "DALÍ" signature.

SERVICETABLE



SERVICEBAR



DIMENSIONS IN MM



BD Barcelona Design

Ramon Turró, 126 / 08005 Barcelona
Tel +34 93 458 69 09 / Fax +34 93 207 36 97
bd@bdbarcelona.com / www.bdbarcelona.com

Technical Department

Carretera Capellades / km 22,750
Narcís Monturiol, 7 / Pol. Ind Sesrovires
Sant Esteve de Sesrovires / 08635 Barcelona
Tel +34 93 771 30 51 / Fax +34 93 771 32 32