



Leading Window & Door Systems



Wintec Aluminium



Since our beginning in 1997, we have developed a range of window and door products that are innovative, functional and stylish.

Wintec Aluminium windows and doors are an all Australian designed and manufactured product, with modern designs and quality finish at the forefront of the Wintec philosophy.

An ongoing commitment to product development and service to our Australia wide fabricator base ensures that no matter where you are, you have access to the latest designs in the Window and Door industry.

“Australia’s Leading Window and Door Systems”

Products and Services

Aluminium Windows & Doors

Wintec have products to suit all areas in Australia – consisting of, Sliding windows, Sliding doors, Awning and Casement windows, Double Hung windows, Louvres, Sliding Multi Track doors, French doors and Bi-folding doors .

Window & Door Testing Laboratory

The Wintec designed products are tested to Australian standard AS2047-1999 in NATA accredited laboratory No 14093. This ensures your windows and doors comply with the building code of Australia [BCA] and are suited to your particular location. In line with the BCA requirements Wintec windows and doors carry a 7 year guarantee.



Double Hung Window



Structural .

Hollow sections including Mullions and Stiles give added strength and security. 1200 Pascal rating. The Double Hung Window system has a frame size of 61.5mm in width with a flyscreen chanell. With out this chanell the frame size is 48mm in width.

Weather .

The Wintec Double-Hung Window will achieve a maximum water penetration resistance pressure of 200 Pascals with a hollow sill section.

Aesthetics & Benefits .

There are 2 sash types available for this system, the Standard and Federation wide stile.

The Standard incorporates: Hollow rails for added strength, stiles are flush to the jambs offering clear sight lines, built in extruded handles in both top and bottom sash's and removable security and insect screens from inside the building.

The Federation wide stile incorporates: Removable security and insect screens from inside the building, Wide sash stiles replicate that of timber double hung windows, dual colour combinations are available (i.e. sash different to the frame) as well as decorative horns.



Double Hung Window

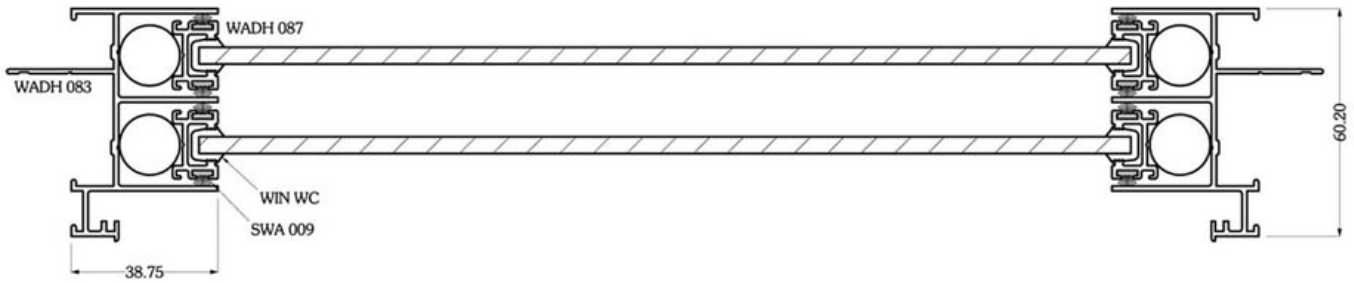
- 2 Sash types are available: Standard and Federation Wide Stile
- The Federation Wide Stile replicates that of timber Double Hung Windows
- Hollow rails give added strength
- Built-in extruded handles in both top and bottom sash's
- Security and insect screens are removable from inside the building



Double Hung Window

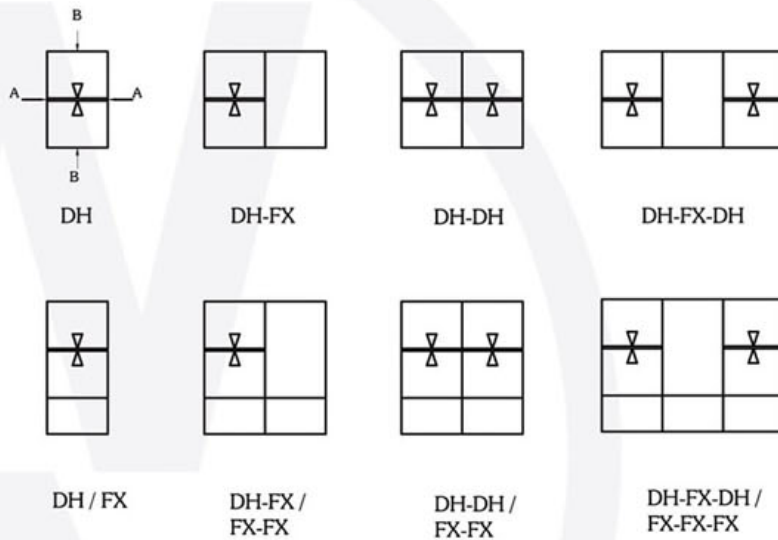
A - A

Technical Configurations - Scale 1:2

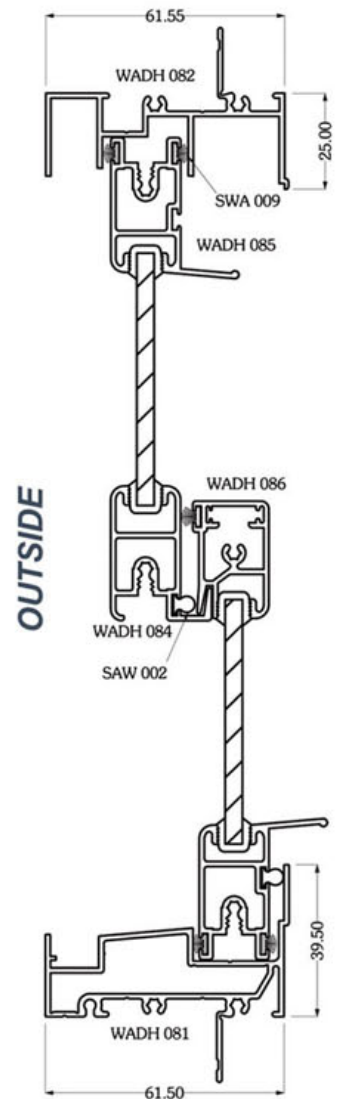


OUTSIDE

Typical Double Hung Window - VIEW FROM OUTSIDE



B - B

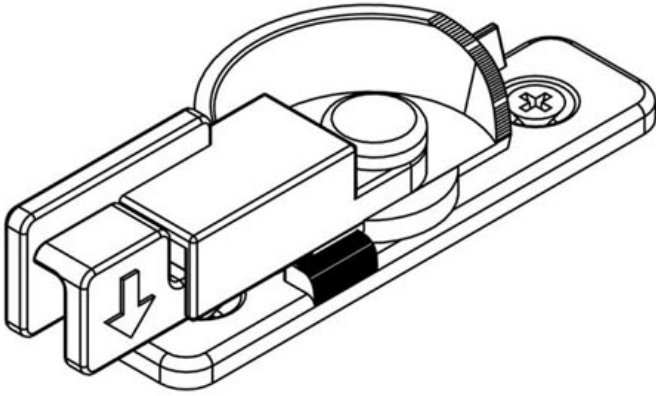


OUTSIDE

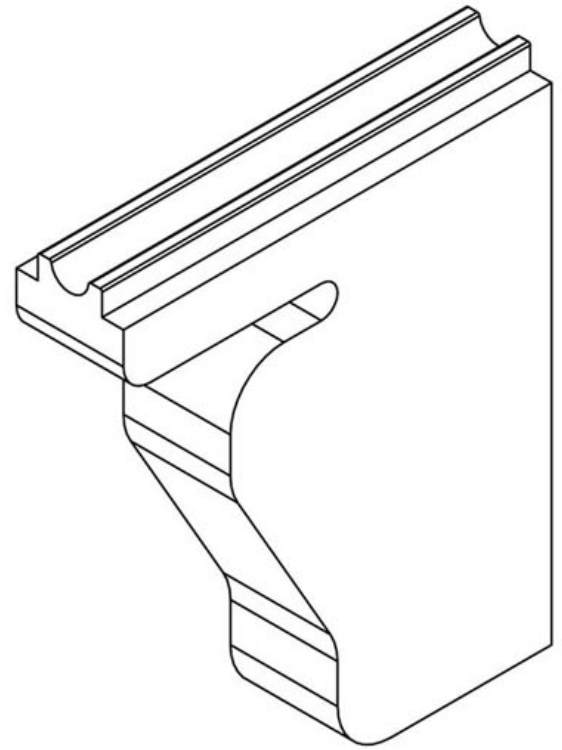
Contact your local Wintec Fabricator for other configuration options.

DH - Double Hung
FX - Fixed

Window Hardware



Sash / Lock Keeper



Federation Sash Horn

Maximum Sizes Table

	900	3600	2700	3600	4500	5400
2400						
	900	1800	2700	3600	4500	5400
2400						

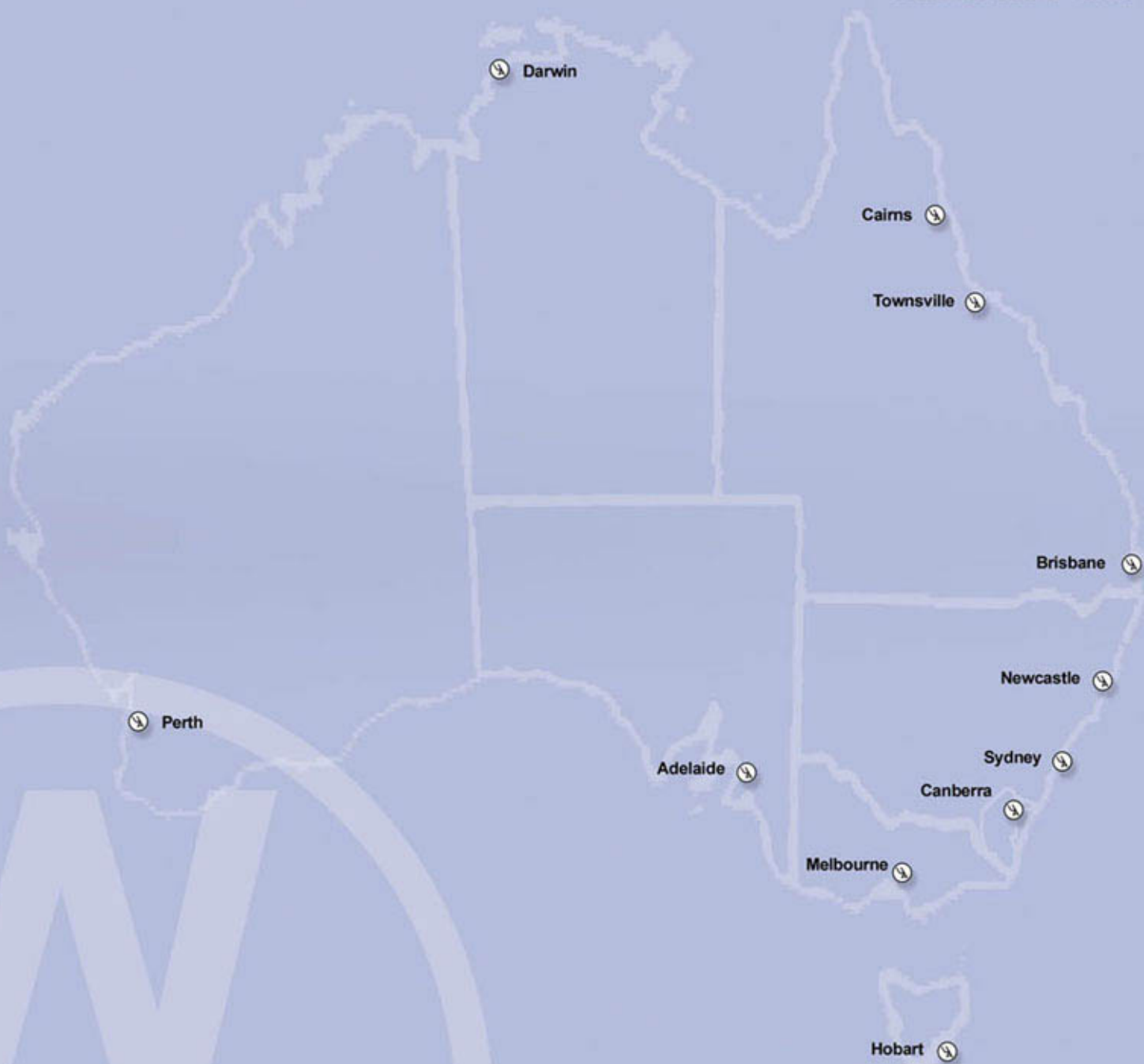
***Note:** For products or configurations outside of these sizes, or pressures exceeding 1000Pa please contact your nearest Wintec Fabricator

ULLRICH

Wintec Aluminium Stock



*Wintec Aluminium sections are stocked
throughout Ullrich Aluminium branches
Australia wide*



*Looking for more information about
Wintec Aluminium? Visit us on the web at
www.wintecaluminium.com.au*