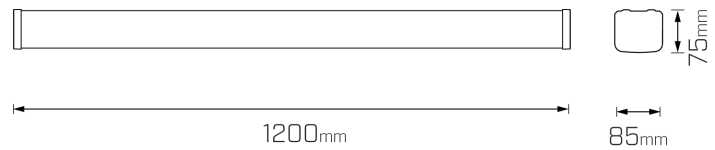




## Installation Manual

### Notes

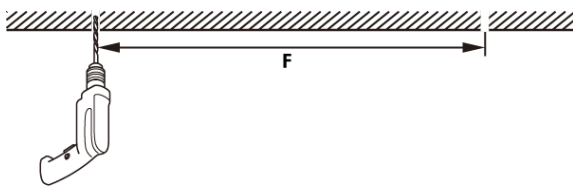
- This fitting requires 100-240V AC/50HZ power input to the driver.
- The fitting must be installed by a certified electrician only.
- Do not interchange any parts of this fitting.
- Do not touch fitting when in use.
- Do not cover with any form of heat proof material.
- If you have any questions about the installation of this product, please contact Mondolux.



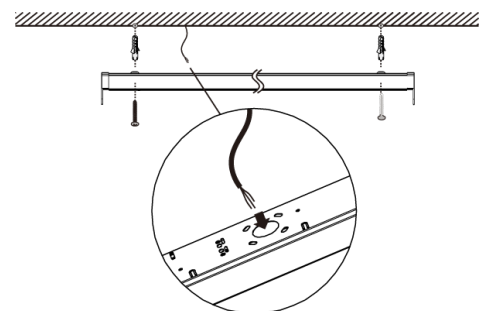
### Installation Steps

1. Ensure the mains power is turned off.
2. Drill 6mm holes as shown.
3. Pass the mains supply wires through the space provided in the base and then connect them to terminal block making sure all connections are tight.
4. Connect the wire from driver & secure the safety cords as shown.
5. Position the top light module and press it on the base to hear lock sound as snap fit.
6. Reconnect power & Installation is complete.

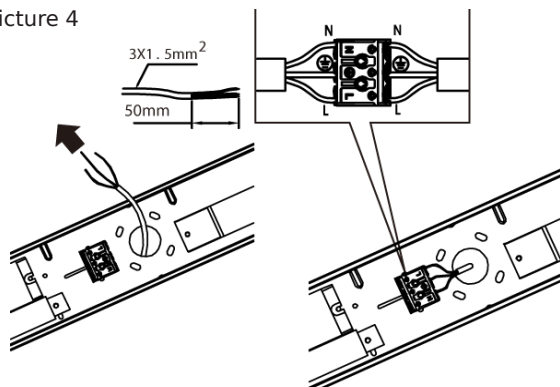
Picture 2



Picture 3



Picture 4



Picture 5

