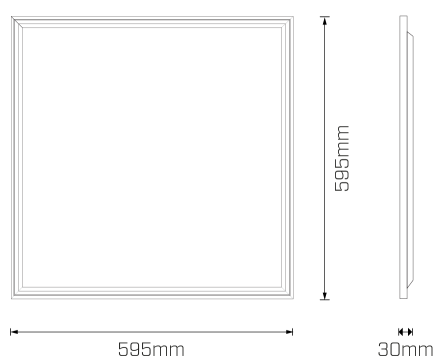


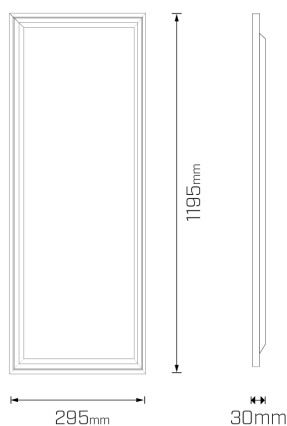


Installation Manual

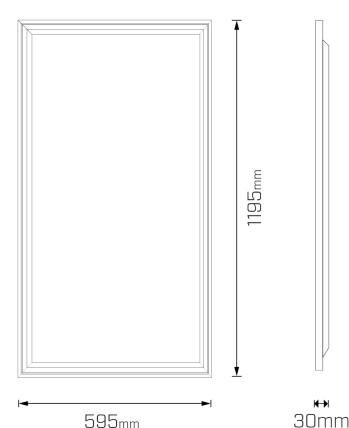
MP32



MP33



MP34



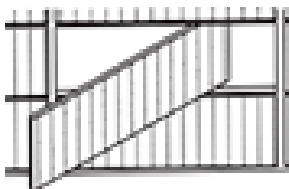
Notes

- This fitting requires 100-240V AC/50HZ power input to the driver.
- Do not interchange any parts of this fitting.
- Do not touch fitting when in use.
- Do not cover with any form of heat proof material.
- If you have any questions about the installation of this product, please contact Mondolux.

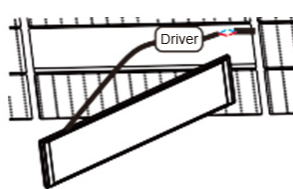
Installation Steps - T bar Recessed

1. Ensure the mains power is turned off.
2. Remove the plaster board Panel from existing T bar ceiling.
3. Connect the driver.
4. Place the fixture into the T bar frame.
5. Installation is complete. See picture 5.

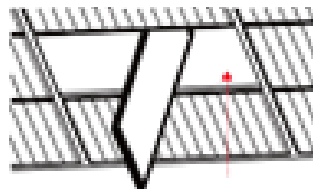
Picture 2



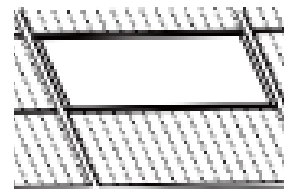
Picture 3



Picture 4

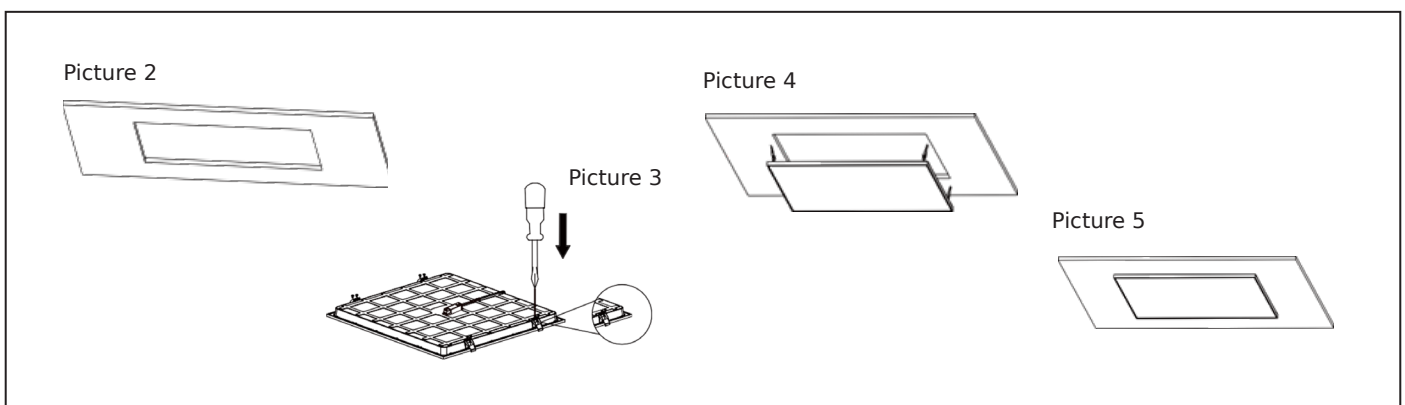


Picture 5



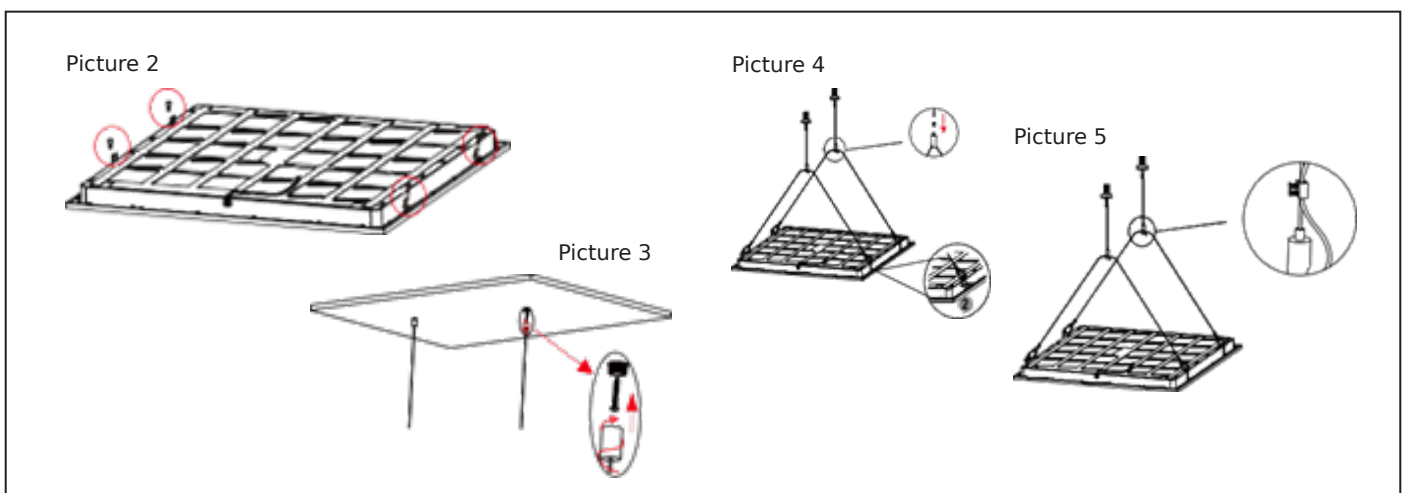
Installation Steps - Plaster Recessed

1. Ensure the mains power is turned off.
2. Cut required holes in ceiling.
3. Connect the driver to the AC power and the panel, then secure the four clips to each corner of the panel.
4. Insert and fix the recessed plaster frame into the ceiling.
5. Mount the fixture on to the recessed plaster frame and secure it.



Installation Steps - Suspended

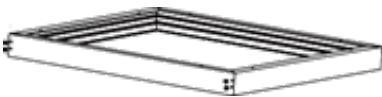
1. Ensure the mains power is turned off.
2. Fix the L shape clips on the panel.
3. Fix the bases on the ceiling, and install the cables into the bases.
4. Pass the cable through the lock and adjuster, adjust to desired length and lock the cable.
5. Screw the locker in tightly.



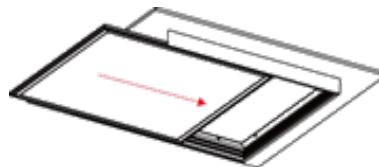
Installation Steps - Surface Mounted

1. Ensure the mains power is turned off.
2. Assemble the aluminium frames, connect the four sides using the screws provided.
3. Fix the frame to the ceiling. Ensure minimum space requirements between fitting and driver.
4. Slide the fixture from the 4th side into the surface mounted frame.
5. Screw and fix the 4th side of the surface mounted frame to secure the panel.
6. Connect flex and plug to the power supply.

Picture 2



Picture 4



Picture 3



Picture 5

