

# Stealth 0809 Surface Mounted

LINEAR LED

Product code ME02SM

mondolux.com.au

**MONDOLUX™**

## Installation Manual



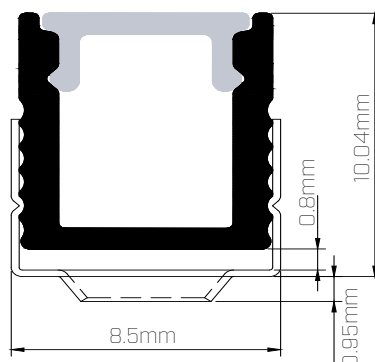
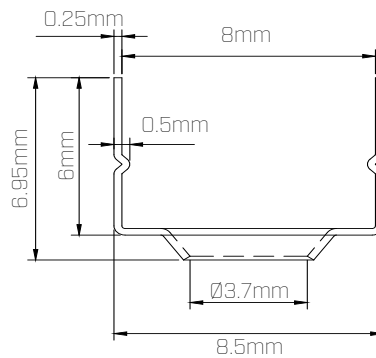
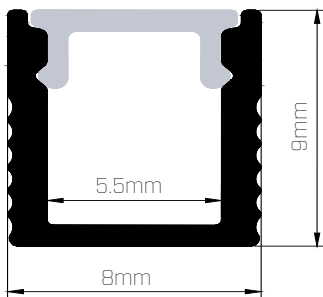
### Notes

- This fitting requires 220-240V AC/50Hz power input to the driver. Installation should be done by qualified electrician.
- Electrical Wiring and installation should always comply as per the local standards.
- Do not open or interchange any parts of this fitting or the warranty is void.
- The fitting may be hot to touch after continuous use.
- Do not install the fitting near heat source.
- Do not install any inductive loads such as exhaust fans or pond pumps etc. within the same lighting circuit of this fitting. Issues caused by such wirings are not covered under our warranty policy.
- If you have any questions about the installation of this product, please contact Mondolux at 1300 601 931.

### Care & Refinishing

Mondolux strongly recommends following cleaning procedures to maintain proper finish of the product.

- Do not use bleach or concentrated solvents under any circumstances.
- For Black finish: Wipe gently with a soft damp cloth or chamois. Do not use any abrasive compounds.



# Stealth 0809 Surface Mounted

LINEAR LED

Product code

ME02SM

mondolux.com.au

**MONDOLUX™**

## Installation Steps

1. Ensure the mains power is turned off.
2. Trim the extrusion based on the required size. See picture 1.
3. Assemble the extrusion with suitable LED strip by sticking to the extrusion base. Install the diffuser and end caps. See Picture 2.
4. Ignore Step 2 and Step 3 for fully assembled kit.
5. Screw the mounting clips in desired location using the provided screws. See picture 3.
6. Click the extrusion into the mounting clips in position and connect to the DC24V side of the driver provided separately. It is recommended to use 2 clips per meter for a secure installation. See picture 4.
7. Installation is complete. Turn the mains on. See picture 5.

