

Impact 5075 Up/Down Suspended

LINEAR LED

Product code ME23SU

mondolux.com.au

MONDOLUX™

Installation Manual



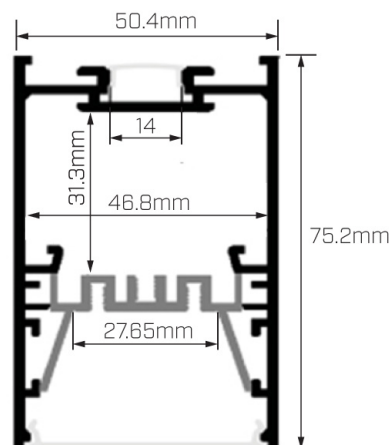
Notes

- This fitting requires 220-240V AC/50Hz power input to the driver. Installation should be done by qualified electrician.
- Electrical Wiring and installation should always comply as per the local standards.
- Do not open or interchange any parts of this fitting or the warranty is void.
- The fitting may be hot to touch after continuous use.
- Do not install the fitting near heat source.
- Do not install any inductive loads such as exhaust fans or pond pumps etc. within the same lighting circuit of this fitting. Issues caused by such wirings are not covered under our warranty policy.
- If you have any questions about the installation of this product, please contact Mondolux at 1300 601 931.

Care & Refinishing

Mondolux strongly recommends following cleaning procedures to maintain proper finish of the product.

- Do not use bleach or concentrated solvents under any circumstances.
- For Black finish: Wipe gently with a soft damp cloth or chamois. Do not use any abrasive compounds.



Impact 5075 Up/Down Suspended

LINEAR LED

| Product code ME23SU

mondolux.com.au

MONDOLUX™

Installation Steps

1. Ensure the mains power is turned off.
2. Mark the suspension points evenly based on the number of suspension kits depending on the length of the extrusion.
3. Drill and screw the base of the ceiling suspension end into the ceiling in those locations.
4. Now, thread the other part of the ceiling suspension into the base. Adjust the suspension height by maintaining even suspension across the length.
5. Turn the mains on. Installation is complete. See picture 1.

Picture 1

