

# Toulouse Round

OUTDOOR  
WALL LIGHT

Product code M051

mondolux.com.au

**MONDOLUX™**

## Installation Manual



### Notes

- This fitting requires 100-277V AC/50Hz power input to the driver. Installation should be done by qualified electrician.
- Electrical Wiring and installation should always comply as per the local standards.
- It is recommended that all low voltage cables should be run in flexible conduit for extra protection. Where extra cable is required, please source and use the equivalent cable only.
- Wherever applicable - waterproof cable joints like junction boxes or heavy walled adhesive lined heat shrinks must be used, or warranty is void.
- Do not install any inductive loads such as exhaust fans or pond pumps etc. within the same lighting circuit of this fitting. Issues caused by such wirings are not covered under our warranty policy.
- Do not open or interchange any parts of this fitting or the warranty is void.
- If you have any questions about the installation of this product, please contact Mondolux at 1300 601 931.

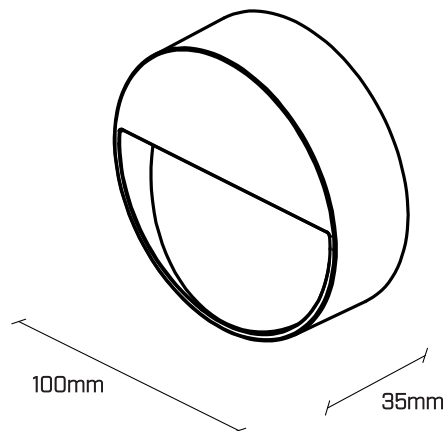
### Care & Refinishing

Mondolux strongly recommends following cleaning procedures to maintain proper finish of the product.

- Do not use bleach or concentrated solvents under any circumstances.
- For Black or Grey finish: Wipe gently with a soft damp cloth or chamois. Do not use any abrasive compounds.

### Optional Accessories

- Toulouse step lights come with a non-dimmable integral 240V AC power supply with basis ON/OFF control only\*



\*For specific accessory order details and installation guidelines, please contact Mondolux at 1300 601 931.

# Toulouse Round

OUTDOOR  
WALL LIGHT

Product code M051

mondolux.com.au

**MONDOLUX™**

## Installation Steps

1. Ensure the mains power is turned off.
2. Mark and drill the 2 holes in the wall with pre-wired position. See picture 1.
3. Using the provided hex key open the back mounting plate.
4. Pass the power supply cable through the gasket of the back mounting plate and secure it with the provided screws. See picture 2.
5. Connect the wires on the supply side to the respective terminals of the driver using quick connectors. See picture 3.
6. Use the hex key and screw to secure the front panel of the fitting to the back mounting plate. See picture 4.
7. Installation is complete. Turn the mains on. See picture 5.

