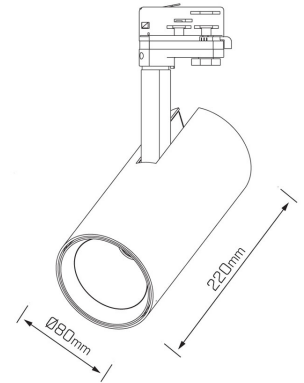


## Installation Manual



### Notes

- This fitting requires 220-240V AC/50HZ power input to the driver.
- Do not interchange any parts of this fitting.
- A minimum distance of 75mm is required around the fitting to allow for air ventilation.
- Allow a minimum distance between fitting and illuminated subject of 800mm.
- Do not touch fitting when in use.
- Do not cover with any form of heat proof material.
- If you have any questions about the installation of this product, please contact Mondolux.



### Installation Steps

1. Ensure the mains power is turned off before installing the fittings.
2. Set the adapter switch to "OFF".
3. Check for correct orientation of the adapter.
4. Press the adapter into track and turn locking lever to lock the adapter into track.
5. Rotate adapter switch to ● select circuit 1 or 3 or 2.
6. Ensure that the adapter switch is always set to "OFF" before removing it.

Note: for surface mounted installation see Monopoint accessory.

