

Installation Manual

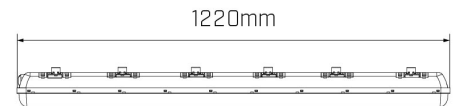
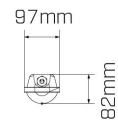


Notes

- This fitting requires 100-240V AC/50HZ power input to the driver.
- Do not interchange any parts of this fitting.
- Do not touch fitting when in use.
- Do not cover with any form of heat proof material.
- If you have any questions about the installation of this product, please contact Mondolux.

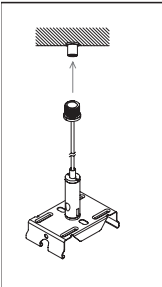
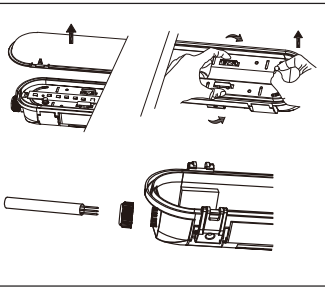
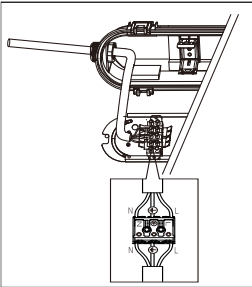
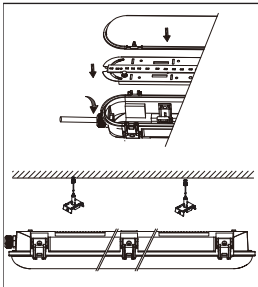
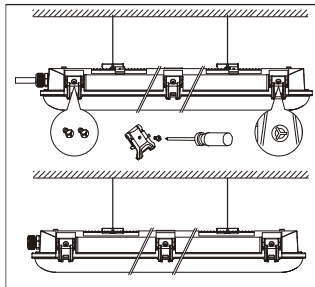
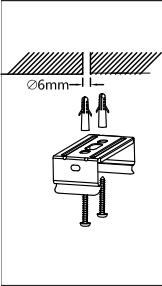
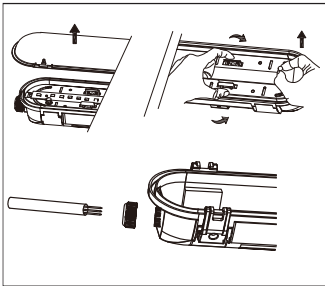
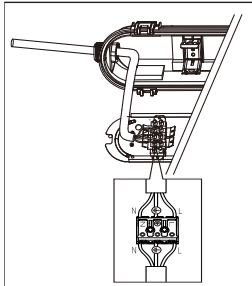
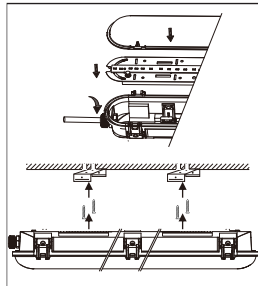
Installation Steps - Suspended

1. Ensure the mains power is turned off.
2. Drill holes into the ceiling and screw the suspension clip. See picture 1.
3. Remove the diffuser and gear tray. Insert the cable through the live end. See picture 2.
4. Connect the cable to the terminal block and fix the live end to seal the fitting. See picture 3.
5. Place the gear tray and diffuser back on to the fitting. See picture 4.
6. Fix the fitting into other end of suspension kit and lock it with screws. See picture 5.
7. Installation is complete.



Installation Steps - Surface Mounted

1. Ensure the mains power is turned off.
2. Drill holes into the ceiling and screw the mounting clip. See picture 1.
3. Remove the diffuser and gear tray. Insert the cable through the live end. See picture 2.
4. Connect the cable to the terminal block and fix the live end to seal the fitting. See picture 3.
5. Place the gear tray and diffuser back on to the fitting. See picture 4.
6. Fix the fitting into the mounting clips and lock them with screws. See picture 5.
7. Installation is complete.

Suspended Installation				
Picture 1 	Picture 2 	Picture 3 	Picture 4 	Picture 5 
Surface Mounted Installation				
Picture 1 	Picture 2 	Picture 3 	Picture 4 	Picture 5 