

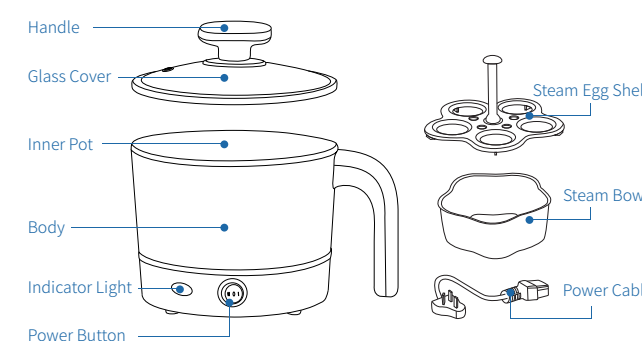


Mini Electric Pot User Instructions

Please read the manual carefully before use.

Product Specifications and Part Names

● Part Names



- 1.The appearance of products varies, the above is for reference only.
- 2.Technical improvements will be compiled into the new manual without notice.

Please do not dispose of this product as general waste! Users should dispose of this product separately from domestic waste after the end of its useful life; it will help save natural resources and reduce environmental pollution. Please follow the handling methods for waste electrical and electronic products in your area.

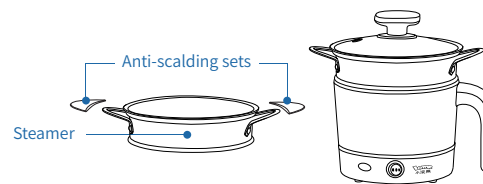
● Product Specifications

Model	Capacity	Power
HM-60C	1.2L	600W
HM-60C-A	1.2L	600W
HM-60C-B	1.2L	600W
XHX-Z1	1.2L	600W

● Product work description

1. The switch indication is in the "I" position, the heating power is 300W; The switch indication is in the "II" position, the heating power is 600W; The indicator light is on, the machine works; The switch indicates in the "0" position, which is the power-off state, the machine is not working.
2. When the machine is working, if the pot is out of water or dry, the machine will automatically power off and the indicator will be off.
3. For safe use, please adjust the switch to the "0" position and unplug the power cord when the machine is not in use.

● Add Purchase



- 1.Put the steamer on the body(show above)to heat or steam buns corn and so on.
2. Anti-scalding sets need to be installed in the steamer handle to avoid burns danger.

● Basic Functional Use

Boil Water

1. Remove the glass cover, clean the glass cover and the inner pot, add water to the pot. Note:control the water level below the highest water level line, and cover the glass cover.
2. Plug the end of the power cord into the electric pot socket, make sure to plug it into the bottom, then plug the three-pin plug into the power . And press the power switch to the "I" or "II" file("I" for 300w power, "II" for 600w power), then the indicator light is on and the machine begins to work;
3. When the switch is pressed to the "II" position to boil water, about 10 minutes, the water starts to boil, then turn off the button switch and unplug the power .

Make Noodle and Dumpling

1. Remove the glass cover, clean the glass cover and the inner pot, add water to the pot. Note: control the water level below the highest water level line, and cover the glass cover.
2. Plug the end of the power cord into the electric pot socket, make sure to plug it into the bottom, then plug the three-pin plug into the power . And press the power switch to the "I" or "II" position, then the indicator light is on and the machine begins to work;
3. When the switch is pressed to the "II" position to boil water, about 10 minutes, the water starts to boil. Then put the noodles, dumplings, dumplings, etc into the inner pot. After the water boil again, add a little cold water to pot and heat until the food is cooked.
4. Turn off the button switch and unplug the power . Note: Remember to stir food evenly with a shovel or spoon to prevent sticking during the cooking period.

Make Soup and Porridge

1. Remove the glass cover, clean the glass cover and the inner pot, add right ratio of water and rice to the pot. Note:control the water level below the highest water level line, and cover the glass cover.
2. Plug the end of the power cord into the electric pot socket, make sure to plug it into the bottom, then plug the three-pin plug into the power . And press the power switch to the "I" or "II" position, then the indicator light is on and the machine begins to work.
- 3.When the switch is pressed to the "II" position to boil water, about 10 minutes, the water starts to boil. Then turn the button switch to "I" position and heat until the food is cooked.
4. Turn off the button switch and unplug the power . Note: Remember to open the glass cover to prevent overflowing during the cooking period.

Cooking Hot Pot

1. Remove the glass cover, clean the glass cover and the inner pot, add water to the pot. Note:control the water level below the highest water level line, and cover the glass cover.

2. Plug the end of the power cord into the electric pot socket, make sure to plug it into the bottom, then plug the three-pin plug into the power . And press the power switch to the "I" or "II" position, then the indicator light is on and the machine begins to work;
3. When the switch is pressed to the "II" position to boil water, about 10 minutes, the water starts to boil. Then put the hot pot ingredients and food,etc into the inner pot. After the water boil again, turn the button switch to "I" position and heat until the food is cooked.
4. Turn off the button switch and unplug the power. Note: Remember to stir food evenly with a shovel or spoon to prevent sticking during the cooking period.

Boil Eggs, Heat Steamed Bread, Buns and Dumplings, Steam Corn, Heat Milk and So Forth.

1. Remove the glass cover, add appropriate amount of water to the pot (the water volume is 1 cm above the bottom of the pot). Put the steam egg shelf into the pot, and place the eggs, taro, buns, milk, meals etc on the steamed egg shelf. Cover the glass cover.
2. Plug the end of the power cord into the electric pot socket, make sure to plug it into the bottom, then plug the three-pin plug into the power . And press the power switch to the "I" or "II" position, then the indicator light is on and the machine begins to work;
3. Wait for about 8-10 minutes, food is cooked.
4. Turn off the button switch and unplug the power.

Steamed Water Egg

1. Remove the glass cover, add appropriate amount of water to the pot (the water volume is 1 cm above the bottom of the pot), put the steam egg shelf into the pot. Beat the eggs into a steam bowl , add seasoning and mix well with water, and place the steam bowl on the steamed egg shelf. Cover the glass cover.
2. Plug the end of the power cord into the electric cooker socket, make sure that the three-pin plug is plugged into the power socket after plugging in, then press the power switch to the "I" or "II" position, the indicator light is on, and the machine starts to work.
3. Wait for about 8-10 minutes, food is cooked.
4. Turn off the button switch and unplug the power.

● Warm Tips

1. After use, please unplug the power plug from the power socket in time.
2. Inner pot, glass cover, steam shelf and bowl and other auxiliary tools can be cleaned with detergent and sponge.
3. Please do not use hard wire cleaning, so as not to damage the surface.
4. When the body is dirty, wipe with a wet towel. Please do not put the body into the water to clean, so as to avoid leakage and failure.
5. Due to the water quality in UK, hard water will produce scale under long-term heating conditions, although it is harmless to health, it is necessary to clean it regularly for good appearance.
6. You can boil the common white vinegar with double amount of water to clean the scale.
7. If the product is not used for a long time, please clean and wipe, and put it into the box, placed in a ventilated

● Safety Precautions | Special Tips

In order to ensure the safe use and avoid the harm to you and others and property damage, please be sure to observe the following safety precautions. This product does not consider the following conditions:
1.used by unaccompanied toddlers or handicapped people.
2.The situation of children playing the product.

! Mandatory Contents

1. Children, the elderly or the handicapped and those who have no previous experience should use this product under the supervision and guidance. Children should be exposed to the product under supervision to ensure that they do not treat the product as a toy.
2. When the pot is dry, add water. When the electric pot has problems must ensure that the power is disconnected.
3. Do not use this product on sloped or unstable worktops and keep it away from heat sources to avoid damage to plastic parts.
4. Must be used exceeding rated current 10A and under rated voltage 220-240V with grounding socket, do not use

- the universal socket with other appliance-s at the same time.
5. If the power cord is damaged, to avoid danger, its maintenance must be done by the professionals.
6. Please unplug the machine before adding water. The water on the power cord should be wiped o before connecting to the power.
7. Do not put the product near the stove , so as to avoid accidents caused by fire.
8. Do not use poor quality socket to avoid the risk of fire.

⚠ Precautions

1. Before use, check whether the rated voltage of the product nameplate matches the voltage you are using.
2. Please use a power supply with a grounding protection to ensure personal safety.
3. When used, the product should be placed on a stable platform and placed out of the reach of children.
4. Do not use this product on or near the surfaces of objects that are not heat-resistant, such as carpets, plastics, etc. Do not place objects that are easily damaged by steam above the product.

5. Do not press the power button too hard, to prevent damage to the power switch.
6. If the product appears dry burning situation, please add water into the base or unplug the power plug, and please do not touch the heating plate to prevent burns.
7. .When used, a large amount of steam will be generated from the steam holes, so be careful of steam burns.
8. The machine has overheat protection function. If you need to cook food continuously, before the second cooking the machine must be properly cooled. Do not press the power button until the thermostat reset.
9. Do not let the base immersed in the water or let the liquid flow into the base, so as to avoid danger.

⚠ Precautions to Prevent Personal Injury

Do not operate this product unattended. Unplug the power cord while not cooking. The table for placement of the product should be cleaned regularly. Please keep the product at least 30cm away from other appliances.

♻ Environmental List

Toxic and Harmful Substances in the Product

Table for Toxic and Harmful Substances in the Product		♻					
Product Name: Electric Lunch Box							
Part Name	Toxic and Harmful Substances or Elements						
	Pb	Hg	Cd	Cr(VI)	Pbb	Pbde	
Pot lid	○	○	○	○	○	○	
Steamer	○	○	○	○	○	○	
Measuring cup	○	○	○	○	○	○	
power cable	○	○	○	○	○	○	
Steamed egg rack	○	○	○	○	○	○	
Instruction manual	○	○	○	○	○	○	
Base	○	○	○	○	○	○	
shell	○	○	○	○	○	○	
Liner	○	○	○	○	○	○	
Chassis screw	○	○	○	×	○	○	

○ : Means content of the toxic and harmful substances or elements is below requirements of GB/T 26572-2011.
× : Means content of the toxic and harmful substances or elements is above requirements of GB/T 26572-2011.