

1. Structure and use

This tool belongs to H type of electric - driving tools, safe and reliable, advanced technological level, high efficiency, convenient repair it is the ideal tool for working on automobiles, furniture decorating and etc.

2. Technical parameter

Power: 220V-240V 50/60Hz

Rated power: 1400W

Rated current: 6.0A

Speed: 600-3000 rotate/min

3. Safety instruction

Before using this tool, please carefully read following safety instruction so as to avoid any unexpected accidents such as fire, electric shock or injuries.

① Clean the surround space of the tool. Disordered working surrounding or working table can cause accidents.

② The safe working environment. Do not use the tool in the dark and wet areas, do not put the inflammable liquids or gas nearby the working tool. Please do not put the tool under the rain.

③ Avoid electric shock! To avoid danger, don't touch any metal materials and electric appliances connected to the ground, such as: water tube, hear radiator, refrigerator during working period.

④ Keep all visitors (especially children) away from working area. Don't let the visitors touch the tool and wire.

⑤ Wear proper working uniform. No loose cloth during work, it is very easy to get caught into the moving tool in such a high speed. Please wear rubber glove and good shoes, wear protective hat if you have long hair.

⑥ Please wear masker and safety glasses during working.

⑦ Prevention of accidental starting. Make sure the power switch is OFF before plugging in.

Disconnect the tool from power supply when change the polishing wheel.

⑧ Operate carefully. Do not operate the machine when feeling tired or not feeling well. Keep proper position and posture. stand firmly all the time.

⑨ When used in outdoor, to use the specific extension cord.

⑩ Check working parts carefully to make sure that there is no hidden nail left behind before start working.

4. Operating instruction.

① Illustrations for Operating parts

auxiliary ring - locking handle, switch adjust wheel, switch self - locking button, switch button, brush cover

② For your safety, please use auxiliary handle(sec Figure 1)

The collar flange of the auxiliary ring - locking handle should properly fit into the groove of the head cover.

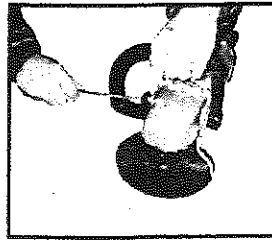


Fig 1

③ Auxiliary ring - locking handle can be installed in both directions screw, lever for hexagon screw.

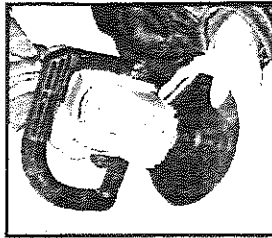


Fig 2

④ When mounting or remove the polish wheel, press self - locking button, return to the original position after mounting the polishing wheel. (see Figure 2)

⑤ When the woolen wheel worn out, change the wheel and the woolen wheel must be concentric alignment with the polishing wheel.

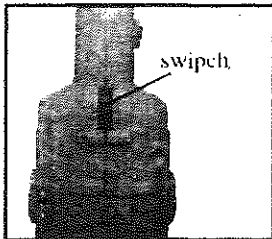


Fig 4

⑥ Adjust stepless speed regulator from 600rpm to 3000rpm according to requirement, it is the highest speed in the "6" position gradually slow down, lowest in the "1" position. (see the figure 4)

Speed regulating wheel. speed regulating position.

⑦ The perfect working angle for the machine(see figure 5). It is the best working angle when the woolen wheel is 15° to the working part.

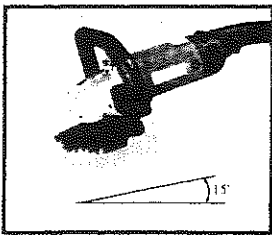
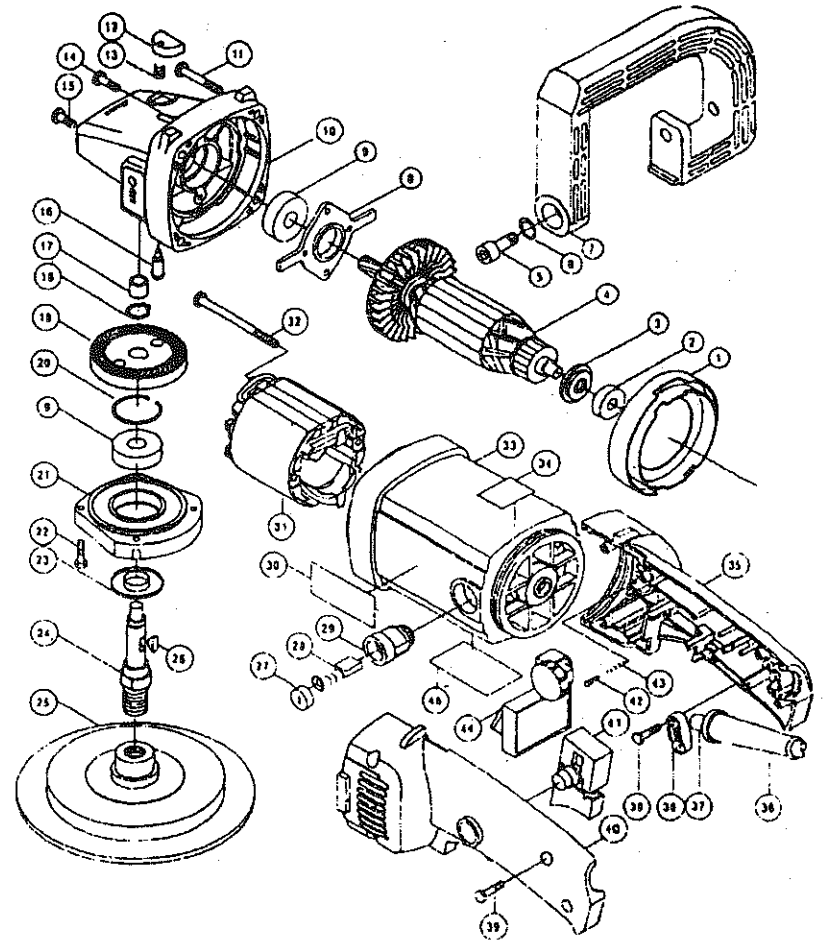


Fig 5



Parts List

1. Roller
2. Bearing
3. Bearing cover
4. Rotor
5. Screw M8 x 20
6. Washer
7. Handle
8. Bearing cover
9. Bearing 6201
10. Gear box
11. Screw ST4. 8x35
12. Stop cover
13. Spring
14. Screw M5x16
15. Screw M5x12
16. Stop pin
17. Bearing 0810
18. Axle Check Ring
19. Gear
20. Axle Check Ring
21. Packing gland
22. Screw M4x16
23. Dust cover
24. Spindle
25. Wool wheel
26. Key 4x12
27. Brush cap
28. Carbon brush
29. Brush holder
30. Name plate
31. Stator
32. Screw ST4.8x70
33. Housing Ass'y
34. Label
35. Handle(L)
36. Cord cover
37. Cord
38. Cord flange
39. Screw ST4.2x18
40. handle(R)
41. Switch
42. Rivet 2x10
43. Spring
44. Switch
45. Name plate